



# 12.8V / 25.6V Li-ion Battery DATASHEET

---

2021



---

## Ritar International Group

10th Floor, Building 1C, Software Industry Base, Xuefu Road, Nanshan District, Shenzhen, Guangdong, China

**Hengyang Ritar Power Co., Ltd.**  
**Hengyang Rich Power Co., Ltd.**

No.1 Huagong Road, Songmu Industrial Park, Shigu District, Hengyang, Hunan, 421001, China

## 12.8V Series (Standard product 801\*\*\*)



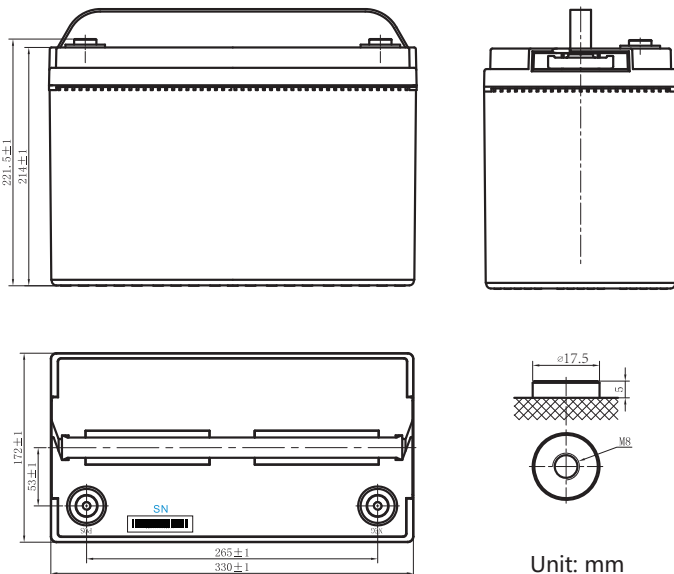
Model	Part Number	Rated Voltage [V]	Rated Capacity [Ah]	Length [mm]	Width [mm]	Height [mm]	Weight [Kg]	Terminal	Remark
R-LFP12.8V6Ah	8010128000601	12.8	6	151	65	93.5	0.82	F2	
R-LFP12.8V8Ah	8010128000801	12.8	8	151	65	93.5	0.98	F2	
R-LFP12.8V9Ah	8010128000901	12.8	9	151	65	93.5	1.1	F2	
R-LFP12.8V12Ah	8010128001201	12.8	12	151	65	93.5	1.21	F2	
R-LFP12.8V12Ah	8010128001202	12.8	12	151	98	95	1.5	F2	
R-LFP12.8V18Ah	8010128001801	12.8	18	151	98	95	1.96	F2	
R-LFP12.8V18Ah	8010128001802	12.8	18	151	98	95	1.96	T4	
R-LFP12.8V20Ah	8010128002001	12.8	20	181	77	167	2.9	F13-BP (Φ12, M5)	
R-LFP12.8V24Ah	8010128002401	12.8	24	181	77	167	3.8	F13-BP (Φ12, M5)	
R-LFP12.8V30Ah	8010128003001	12.8	30	195	130	155	5	IF11 (Φ14, M6)	
R-LFP12.8V35Ah	8010128003501	12.8	35	195	130	155	4.83	IF11 (Φ14, M6)	
R-LFP12.8V40Ah	8010128004001	12.8	40	195	130	155	4.87	IF11 (Φ14, M6)	
R-LFP12.8V40Ah	8010128004002	12.8	40	198	166	169	4.95	IF11 (Φ14, M6)	
R-LFP12.8V50Ah	8010128005001	12.8	50	198	166	169	6.5	IF11 (Φ14, M6)	
R-LFP12.8V75Ah	8010128007501	12.8	75	260	168	211	10	F12 (Φ17.5, M8)	
R-LFP12.8V80Ah	8010128008001	12.8	80	260	168	211	10	F12 (Φ17.5, M8)	
R-LFP12.8V100Ah	8010128010001	12.8	100	330	172	214	13.4	F12 (Φ17.5, M8)	
R-LFP12.8V100Ah	8010128010002	12.8	100	306	168	220	12.9	F12 (Φ17.5, M8)	
R-LFP12.8V100Ah	8010128010003	12.8	100	355	176	190	15	/	Car battery case
R-LFP12.8V135Ah	8010128013501	12.8	135	330	172	214	19	F12 (Φ17.5, M8)	
R-LFP12.8V150Ah	8010128015001	12.8	150	483	170	241	20	F12 (Φ17.5, M8)	
R-LFP12.8V200Ah	8010128020001	12.8	200	522	240	219	25.6	F10 (Φ20, M8)	
R-LFP12.8V280Ah	8010128028001	12.8	280	522	240	219	31	F10 (Φ20, M8)	
R-LFP12.8V300Ah	8010128030001	12.8	300	522	268	220	32	F10 (Φ20, M8)	

# 12.8V 100Ah

LFP Li-ion Battery



**Dimension:**



**SAFETY**

- + Prismatic LiFePO4 cells (50Ah), High consistency, long cycle life and much more safety.
- + UN38.3, CE certification for system.
- + The cycle life over 3000 times @80%DOD

**DESIGN**

- + ABS container, replace VRLA battery perfectly.
- + Fast charge performance.
- + -20~+55° C widely temperature range.
- + Maintenance free.

**BATTERY MANAGEMENT SYSTEM (BMS)**

- + Integrated hardware BMS inside.
- + Independent protection for charge and discharge.
- + Over voltage, low voltage, over temperature and short circuit protection.

# 12.8V100Ah

## Specification

Model	R-LFP12.8V100Ah
Part Number	8010128010001
Nominal Voltage [V]	12.8
Nominal Capacity [Ah]	100
Total Energy [Wh]	1280
Max. Charging Current [A]	100
Recommended Charging Current [A]	50
Charging Voltage [V]	14.6
Max. Discharging Current [A]	100
End of Discharge Voltage [V]	11.2
Pulse Discharge Current	270A @ 10s
Dimension [W*D*H, mm]	330*172*214
Weight [Kg]	13.4
Operation Humidity	0~95% RH (No condensing)
Operating Temperature Range	Charge: 0 ~ +50 °C; Discharge: -20 ~ +55 °C
BMS Protection	Over charge Over discharge, Over temperature, Short circuit
Parallel Support	Yes, Max 2 Sets
Series Support	Yes, Max 4 Sets
Cycle Life	>3000
Designed Calendar Life	>10 Years
Certification	UN38.3, CE, MSDS

### Note:

1. 80% DOD and to 80% of initial capacity.