



## 12.8V / 25.6V Li-ion Battery DATASHEET

---

2021



---

### Ritar International Group

10th Floor, Building 1C, Software Industry Base, Xuefu Road, Nanshan District, Shenzhen, Guangdong, China

### Hengyang Ritar Power Co., Ltd. Hengyang Rich Power Co., Ltd.

No.1 Huagong Road, Songmu Industrial Park, Shigu District, Hengyang, Hunan, 421001, China



## 12.8V Series (Standard product 801\*\*\*)

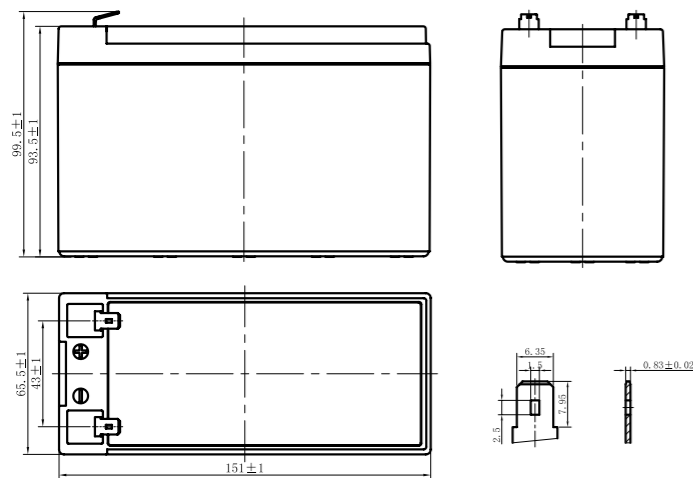
Model	Part Number	Rated Voltage [V]	Rated Capacity [Ah]	Length [mm]	Width [mm]	Height [mm]	Weight [Kg]	Terminal	Remark
R-LFP12.8V6Ah	8010128000601	12.8	6	151	65	93.5	0.82	F2	
R-LFP12.8V8Ah	8010128000801	12.8	8	151	65	93.5	0.98	F2	
R-LFP12.8V9Ah	8010128000901	12.8	9	151	65	93.5	1.1	F2	
R-LFP12.8V12Ah	8010128001201	12.8	12	151	65	93.5	1.21	F2	
R-LFP12.8V12Ah	8010128001202	12.8	12	151	98	95	1.5	F2	
R-LFP12.8V18Ah	8010128001801	12.8	18	151	98	95	1.96	F2	
R-LFP12.8V20Ah	8010128002001	12.8	20	181	77	167	2.9	F13-BP (Φ12, M5)	
R-LFP12.8V24Ah	8010128002401	12.8	24	181	77	167	3.8	F13-BP (Φ12, M5)	
R-LFP12.8V30Ah	8010128003001	12.8	30	195	130	155	5	IF11 (Φ14, M6)	
R-LFP12.8V35Ah	8010128003501	12.8	35	195	130	155	4.83	IF11 (Φ14, M6)	
R-LFP12.8V40Ah	8010128004001	12.8	40	195	130	155	4.87	IF11 (Φ14, M6)	
R-LFP12.8V40Ah	8010128004002	12.8	40	198	166	169	4.95	IF11 (Φ14, M6)	
R-LFP12.8V50Ah	8010128005001	12.8	50	198	166	169	6.5	IF11 (Φ14, M6)	
R-LFP12.8V75Ah	8010128007501	12.8	75	260	168	211	10	F12 (Φ17.5, M8)	
R-LFP12.8V80Ah	8010128008001	12.8	80	260	168	211	10	F12 (Φ17.5, M8)	
R-LFP12.8V100Ah	8010128010001	12.8	100	330	172	214	13.4	F12 (Φ17.5, M8)	
R-LFP12.8V100Ah	8010128010002	12.8	100	306	168	220	12.9	F12 (Φ17.5, M8)	
R-LFP12.8V100Ah	8010128012003	12.8	100	355	176	190	15	/	Car battery case
R-LFP12.8V100Ah	8010128012004	12.8	100	260	168	211	12.7	F12 (Φ17.5, M8)	
R-LFP12.8V135Ah	8010128013501	12.8	135	330	172	214	19	F12 (Φ17.5, M8)	
R-LFP12.8V150Ah	8010128015001	12.8	150	483	170	241	20	F12 (Φ17.5, M8)	
R-LFP12.8V200Ah	8010128020001	12.8	200	522	240	219	25.6	F10 (Φ20, M8)	
R-LFP12.8V300Ah	8010128030001	12.8	300	522	268	220	32	F10 (Φ20, M8)	

# 12.8V6Ah

LFP Li-ion Battery



**Dimension:**



Unit: mm

**SAFETY**

- + Cylindrical LiFePO4 cells (32700-6Ah), High consistency, long cycle life and much more safety.
- + UN38.3, CE certification for system.
- + The cycle life over 2000 times @80%DOD

**DESIGN**

- + ABS container, replace VRLA battery perfectly.
- + Fast charge performance.
- + -20~ +55° C widely temperature range.
- + Maintenance free.

**BATTERY MANAGEMENT SYSTEM (BMS)**

- + Integrated hardware BMS inside.
- + Independent protection for charge and discharge.
- + Over voltage, low voltage, over temperature and short circuit protection.

# 12.8V6Ah

**Specification**

Model	R-LFP12.8V6Ah
Part Number	8010128000601
Nominal Voltage [V]	12.8
Nominal Capacity [Ah]	6
Total Energy [Wh]	76.8
Max. Charging Current [A]	6
Recommended Charging Current [A]	3
Charging Voltage [V]	14.6
Max. Discharging Current [A]	6
End of Discharge Voltage [V]	11.2
Pulse Discharge Current	12A @ 10s
Dimension [W*D*H, mm]	151*65*93.5
Weight [Kg]	0.82
Operation Humidity	0~95% RH (No condensing)
Operating Temperature Range	Charge: 0 ~ +50 °C; Discharge: -20 ~ +55 °C
BMS Protection	Over charge Over discharge, Over temperature, Short circuit
Parallel Support	Yes, Max 2 Sets
Series Support	Yes, Max 4 Sets
Cycle Life	>2000
Designed Calendar Life	>10 Years
Certification	UN38.3, CE, MSDS

**Note:**

- 1. 80% DOD and to 80% of initial capacity.

The datasheet is subject to change without prior notification

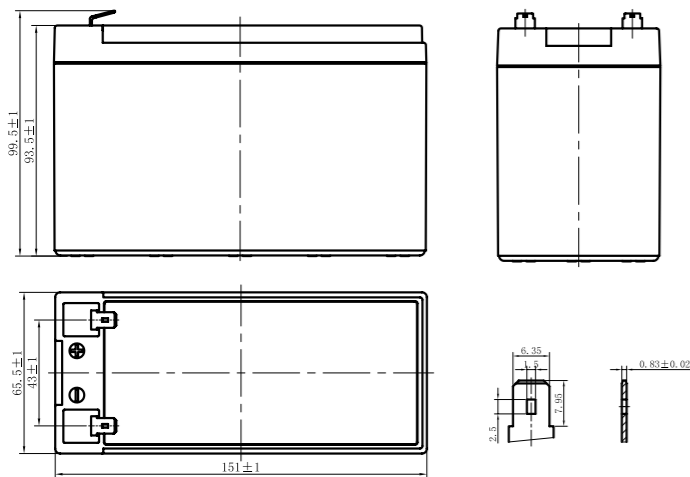
For more information, contact with: sales@ritarpower.com

# 12.8V8Ah

LFP Li-ion Battery



**Dimension:**



Unit: mm

**SAFETY**

- + Cylindrical LiFePO4 cells (26700-4Ah), High consistency, long cycle life and much more safety.
- + UN38.3, CE certification for system.
- + The cycle life over 2000 times @80%DOD

**DESIGN**

- + ABS container, replace VRLA battery perfectly.
- + Fast charge performance.
- + -20~+55° C widely temperature range.
- + Maintenance free.

**BATTERY MANAGEMENT SYSTEM (BMS)**

- + Integrated hardware BMS inside.
- + Independent protection for charge and discharge.
- + Over voltage, low voltage, over temperature and short circuit protection.

# 12.8V8Ah

**Specification**

Model	R-LFP12.8V8Ah
Part Number	8010128000801
Nominal Voltage [V]	12.8
Nominal Capacity [Ah]	8
Total Energy [Wh]	100.8
Max. Charging Current [A]	8
Recommended Charging Current [A]	4
Charging Voltage [V]	14.6
Max. Discharging Current [A]	8
End of Discharge Voltage [V]	11.2
Pulse Discharge Current	12A @ 10s
Dimension [W*D*H, mm]	151*65*93.5
Weight [Kg]	0.98
Operation Humidity	0~95% RH (No condensing)
Operating Temperature Range	Charge: 0 ~ +50 °C; Discharge: -20 ~ +55 °C
BMS Protection	Over charge Over discharge, Over temperature, Short circuit
Parallel Support	Yes, Max 2 Sets
Series Support	Yes, Max 4 Sets
Cycle Life	>2000
Designed Calendar Life	>10 Years
Certification	UN38.3, CE, MSDS

Note:  
1. 80% DOD and to 80% of initial capacity.

The datasheet is subject to change without prior notification

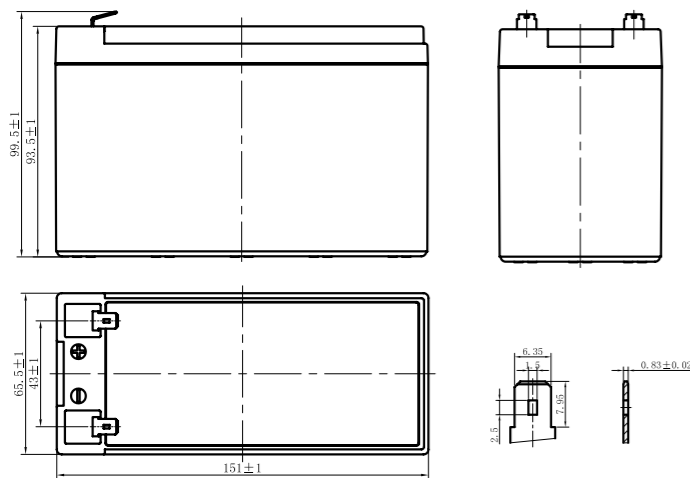
For more information, contact with: sales@ritarpower.com

# 12.8V9Ah

LFP Li-ion Battery



**Dimension:**



Unit: mm

**SAFETY**

- + Cylindrical LiFePO4 cells (21700-3Ah), High consistency, long cycle life and much more safety.
- + UN38.3, CE certification for system.
- + The cycle life over 2000 times @80%DOD

**DESIGN**

- + ABS container, replace VRLA battery perfectly.
- + Fast charge performance.
- + -20~+55° C widely temperature range.
- + Maintenance free.

**BATTERY MANAGEMENT SYSTEM (BMS)**

- + Integrated hardware BMS inside.
- + Independent protection for charge and discharge.
- + Over voltage, low voltage, over temperature and short circuit protection.

# 12.8V9Ah

**Specification**

Model	R-LFP12.8V9Ah
Part Number	8010128000901
Nominal Voltage [V]	12.8
Nominal Capacity [Ah]	9
Total Energy [Wh]	115.2
Max. Charging Current [A]	9
Recommended Charging Current [A]	4.5
Charging Voltage [V]	14.6
Max. Discharging Current [A]	9
End of Discharge Voltage [V]	11.2
Pulse Discharge Current	12A @ 10s
Dimension [W*D*H, mm]	151*65*93.5
Weight [Kg]	1.10
Operation Humidity	0~95% RH (No condensing)
Operating Temperature Range	Charge: 0 ~ +50 °C; Discharge: -20 ~ +55 °C
BMS Protection	Over charge Over discharge, Over temperature, Short circuit
Parallel Support	Yes, Max 2 Sets
Series Support	Yes, Max 4 Sets
Cycle Life	>2000
Designed Calendar Life	>10 Years
Certification	UN38.3, CE, MSDS

Note:  
1. 80% DOD and to 80% of initial capacity.

The datasheet is subject to change without prior notification

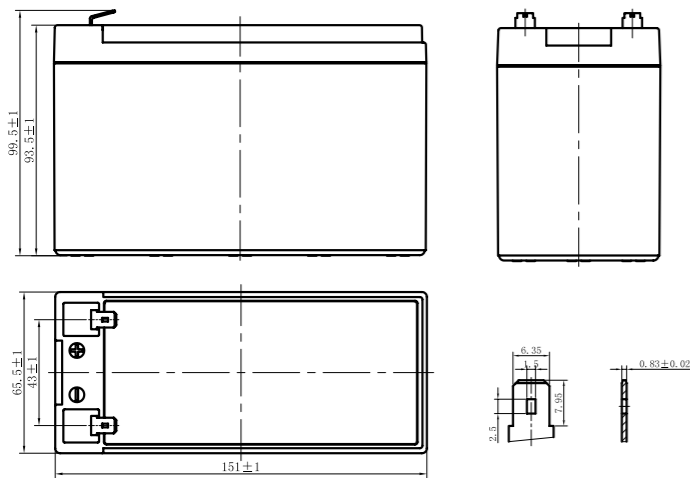
For more information, contact with: sales@ritarpower.com

# 12.8V12Ah

LFP Li-ion Battery



**Dimension:**



Unit: mm

**SAFETY**

- + Cylindrical LiFePO4 cells (21700-3Ah), High consistency, long cycle life and much more safety.
- + UN38.3, CE certification for system.
- + The cycle life over 2000 times @80%DOD

**DESIGN**

- + ABS container, replace VRLA battery perfectly.
- + Fast charge performance.
- + -20~+55° C widely temperature range.
- + Maintenance free.

**BATTERY MANAGEMENT SYSTEM (BMS)**

- + Integrated hardware BMS inside.
- + Independent protection for charge and discharge.
- + Over voltage, low voltage, over temperature and short circuit protection.

# 12.8V12Ah

**Specification**

Model	R-LFP12.8V12Ah
Part Number	8010128001201
Nominal Voltage [V]	12.8
Nominal Capacity [Ah]	12
Total Energy [Wh]	153.6
Max. Charging Current [A]	12
Recommended Charging Current [A]	6
Charging Voltage [V]	14.6
Max. Discharging Current [A]	12
End of Discharge Voltage [V]	11.2
Pulse Discharge Current	30A @ 10s
Dimension [W*D*H, mm]	151*65*93.5
Weight [Kg]	1.21
Operation Humidity	0~95% RH (No condensing)
Operating Temperature Range	Charge: 0 ~ +50 °C; Discharge: -20 ~ +55 °C
BMS Protection	Over charge Over discharge, Over temperature, Short circuit
Parallel Support	Yes, Max 2 Sets
Series Support	Yes, Max 4 Sets
Cycle Life	>2000
Designed Calendar Life	>10 Years
Certification	UN38.3, CE, MSDS

**Note:**

1. 80% DOD and to 80% of initial capacity.

The datasheet is subject to change without prior notification

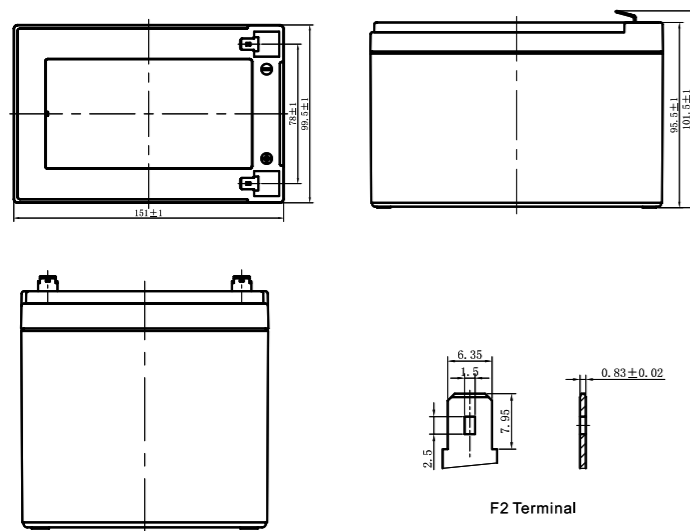
For more information, contact with: [sales@ritarpower.com](mailto:sales@ritarpower.com)

# 12.8V12Ah

LFP Li-ion Battery



**Dimension:**



Unit: mm

**SAFETY**

- + Cylindrical LiFePO4 cells (32700-6Ah), High consistency, long cycle life and much more safety.
- + UN38.3, CE certification for system.
- + The cycle life over 2000 times @80%DOD

**DESIGN**

- + ABS container, replace VRLA battery perfectly.
- + Fast charge performance.
- + -20~ +55° C widely temperature range.
- + Maintenance free.

**BATTERY MANAGEMENT SYSTEM (BMS)**

- + Integrated hardware BMS inside.
- + Independent protection for charge and discharge.
- + Over voltage, low voltage, over temperature and short circuit protection.

# 12.8V12Ah

**Specification**

Model	R-LFP12.8V12Ah
Part Number	8010128001202
Nominal Voltage [V]	12.8
Nominal Capacity [Ah]	12
Total Energy [Wh]	153.6
Max. Charging Current [A]	12
Recommended Charging Current [A]	6
Charging Voltage [V]	14.6
Max. Discharging Current [A]	12
End of Discharge Voltage [V]	11.2
Pulse Discharge Current	30A @ 10s
Dimension [W*D*H, mm]	151*98*95
Weight [Kg]	1.50
Operation Humidity	0~95% RH (No condensing)
Operating Temperature Range	Charge: 0 ~ +50 °C; Discharge: -20 ~ +55 °C
BMS Protection	Over charge Over discharge, Over temperature, Short circuit
Parallel Support	Yes, Max 2 Sets
Series Support	Yes, Max 4 Sets
Cycle Life	>2000
Designed Calendar Life	>10 Years
Certification	UN38.3, CE, MSDS

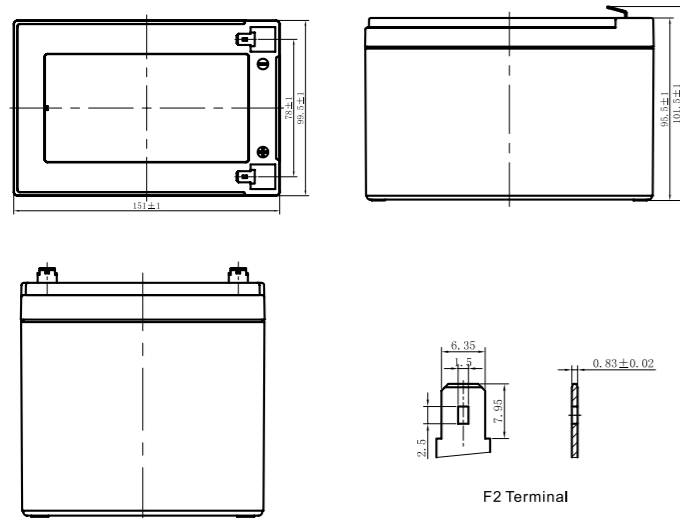
Note:  
1. 80% DOD and to 80% of initial capacity.

# 12.8V18Ah

LFP Li-ion Battery



**Dimension:**



Unit: mm

**SAFETY**

- + Cylindrical LiFePO4 cells (32700-6Ah), High consistency, long cycle life and much more safety.
- + UN38.3, CE certification for system.
- + The cycle life over 2000 times @80%DOD

**DESIGN**

- + ABS container, replace VRLA battery perfectly.
- + Fast charge performance.
- + -20~+55° C widely temperature range.
- + Maintenance free.

**BATTERY MANAGEMENT SYSTEM (BMS)**

- + Integrated hardware BMS inside.
- + Independent protection for charge and discharge.
- + Over voltage, low voltage, over temperature and short circuit protection.

# 12.8V18Ah

**Specification**

Model	R-LFP12.8V18Ah
Part Number	8010128001801
Nominal Voltage [V]	12.8
Nominal Capacity [Ah]	18
Total Energy [Wh]	230.4
Max. Charging Current [A]	18
Recommended Charging Current [A]	9
Charging Voltage [V]	14.6
Max. Discharging Current [A]	18
End of Discharge Voltage [V]	11.2
Pulse Discharge Current	50A @ 10s
Dimension [W*D*H, mm]	151*98*95
Weight [Kg]	1.96
Operation Humidity	0~95% RH (No condensing)
Operating Temperature Range	Charge: 0 ~ +50 °C; Discharge: -20 ~ +55 °C
BMS Protection	Over charge Over discharge, Over temperature, Short circuit
Parallel Support	Yes, Max 2 Sets
Series Support	Yes, Max 4 Sets
Cycle Life	>2000
Designed Calendar Life	>10 Years
Certification	UN38.3, CE, MSDS

Note:  
1. 80% DOD and to 80% of initial capacity.

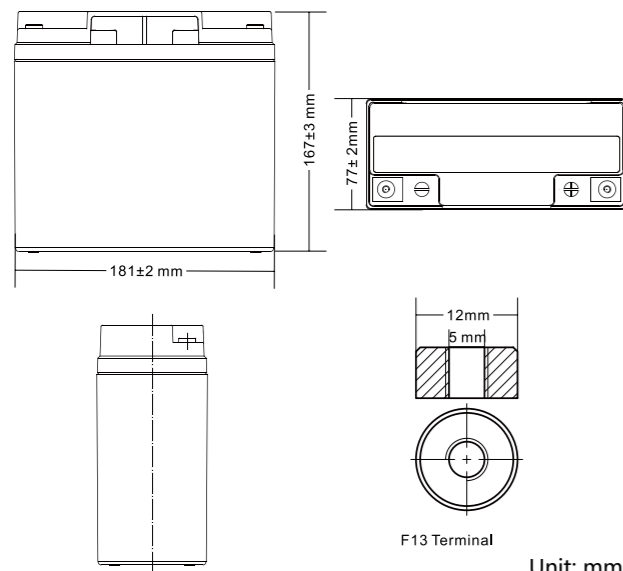


# 12.8V20Ah

LFP Li-ion Battery



**Dimension:**



Unit: mm

**SAFETY**

- + Cylindrical LiFePO4 cells (32650-5Ah), High consistency, long cycle life and much more safety.
- + UN38.3, CE certification for system.
- + The cycle life over 2000 times @80%DOD

**DESIGN**

- + ABS container, replace VRLA battery perfectly.
- + Fast charge performance.
- + -20~ +55° C widely temperature range.
- + Maintenance free.

**BATTERY MANAGEMENT SYSTEM (BMS)**

- + Integrated hardware BMS inside.
- + Independent protection for charge and discharge.
- + Over voltage, low voltage, over temperature and short circuit protection.

# 12.8V20Ah

**Specification**

Model	R-LFP12.8V20Ah
Part Number	8010128002001
Nominal Voltage [V]	12.8
Nominal Capacity [Ah]	20
Total Energy [Wh]	256
Max. Charging Current [A]	20
Recommended Charging Current [A]	10
Charging Voltage [V]	14.6
Max. Discharging Current [A]	20
End of Discharge Voltage [V]	11.2
Pulse Discharge Current	50A @ 10s
Dimension [W*D*H, mm]	181*77*167
Weight [Kg]	2.90
Operation Humidity	0~95% RH (No condensing)
Operating Temperature Range	Charge: 0 ~ +50 °C; Discharge: -20 ~ +55 °C
BMS Protection	Over charge Over discharge, Over temperature, Short circuit
Parallel Support	Yes, Max 2 Sets
Series Support	Yes, Max 4 Sets
Cycle Life	>2000
Designed Calendar Life	>10 Years
Certification	UN38.3, CE, MSDS

Note:  
1. 80% DOD and to 80% of initial capacity.

The datasheet is subject to change without prior notification

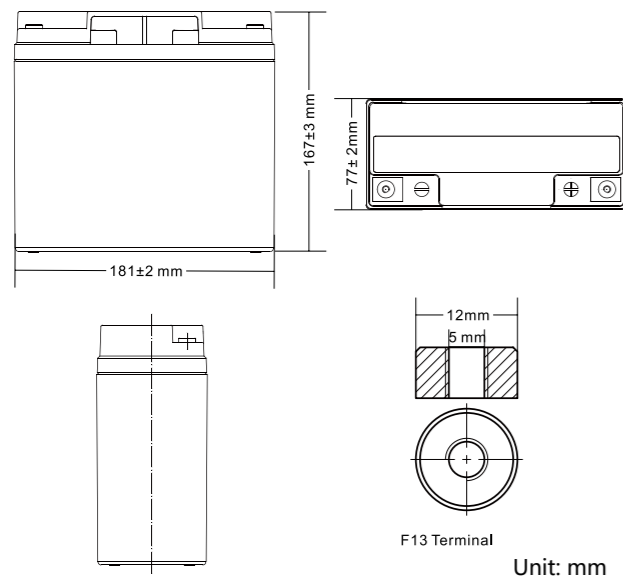
For more information, contact with: [sales@ritarpower.com](mailto:sales@ritarpower.com)

# 12.8V24Ah

LFP Li-ion Battery



**Dimension:**



**SAFETY**

- + Cylindrical LiFePO4 cells (32700-6Ah), High consistency, long cycle life and much more safety.
- + UN38.3, CE certification for system.
- + The cycle life over 2000 times @80%DOD

**DESIGN**

- + ABS container, replace VRLA battery perfectly.
- + Fast charge performance.
- + -20~ +55° C widely temperature range.
- + Maintenance free.

**BATTERY MANAGEMENT SYSTEM (BMS)**

- + Integrated hardware BMS inside.
- + Independent protection for charge and discharge.
- + Over voltage, low voltage, over temperature and short circuit protection.

Unit: mm

# 12.8V24Ah

**Specification**

Model	R-LFP12.8V24Ah
Part Number	8010128002401
Nominal Voltage [V]	12.8
Nominal Capacity [Ah]	24
Total Energy [Wh]	307.2
Max. Charging Current [A]	24
Recommended Charging Current [A]	12
Charging Voltage [V]	14.6
Max. Discharging Current [A]	24
End of Discharge Voltage [V]	11.2
Pulse Discharge Current	50A @ 10s
Dimension [W*D*H, mm]	181*77*167
Weight [Kg]	3.80
Operation Humidity	0~95% RH (No condensing)
Operating Temperature Range	Charge: 0 ~ +50 °C; Discharge: -20 ~ +55 °C
BMS Protection	Over charge Over discharge, Over temperature, Short circuit
Parallel Support	Yes, Max 2 Sets
Series Support	Yes, Max 4 Sets
Cycle Life	>2000
Designed Calendar Life	>10 Years
Certification	UN38.3, CE, MSDS

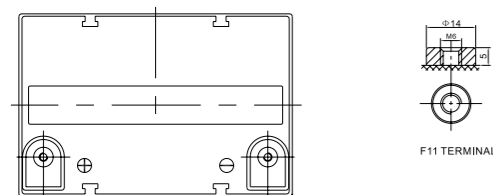
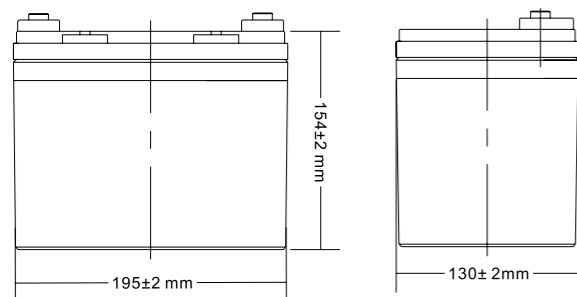
Note:  
1. 80% DOD and to 80% of initial capacity.

# 12.8V30Ah

LFP Li-ion Battery



**Dimension:**



Unit: mm

**SAFETY**

- + Cylindrical LiFePO4 cells (32700-6Ah), High consistency, long cycle life and much more safety.
- + UN38.3, CE certification for system.
- + The cycle life over 2000 times @80%DOD

**DESIGN**

- + ABS container, replace VRLA battery perfectly.
- + Fast charge performance.
- + -20~+55° C widely temperature range.
- + Maintenance free.

**BATTERY MANAGEMENT SYSTEM (BMS)**

- + Integrated hardware BMS inside.
- + Independent protection for charge and discharge.
- + Over voltage, low voltage, over temperature and short circuit protection.

# 12.8V30Ah

**Specification**

Model	R-LFP12.8V30Ah
Part Number	8010128003001
Nominal Voltage [V]	12.8
Nominal Capacity [Ah]	30
Total Energy [Wh]	384
Max. Charging Current [A]	30
Recommended Charging Current [A]	15
Charging Voltage [V]	14.6
Max. Discharging Current [A]	30
End of Discharge Voltage [V]	11.2
Pulse Discharge Current	50A @ 10s
Dimension [W*D*H, mm]	195*130*155
Weight [Kg]	5.0
Operation Humidity	0~95% RH (No condensing)
Operating Temperature Range	Charge: 0 ~ +50 °C; Discharge: -20 ~ +55 °C
BMS Protection	Over charge Over discharge, Over temperature, Short circuit
Parallel Support	Yes, Max 2 Sets
Series Support	Yes, Max 4 Sets
Cycle Life	>2000
Designed Calendar Life	>10 Years
Certification	UN38.3, CE, MSDS

Note:  
1. 80% DOD and to 80% of initial capacity.

The datasheet is subject to change without prior notification

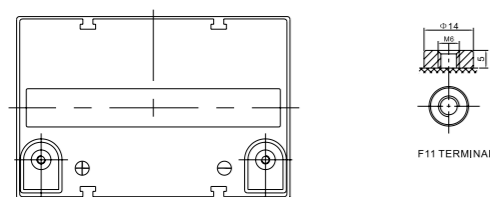
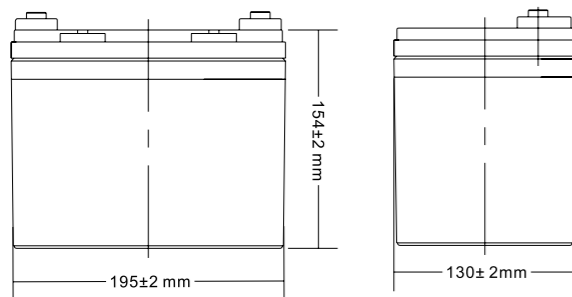
For more information, contact with: sales@ritarpower.com

# 12.8V35Ah

LFP Li-ion Battery



**Dimension:**



Unit: mm

**SAFETY**

- + Prismatic LiFePO4 cells (38Ah), High consistency, long cycle life and much more safety.
- + UN38.3, CE certification for system.
- + The cycle life over 3000 times @80%DOD

**DESIGN**

- + ABS container, replace VRLA battery perfectly.
- + Fast charge performance.
- + -20~ +55° C widely temperature range.
- + Maintenance free.

**BATTERY MANAGEMENT SYSTEM (BMS)**

- + Integrated hardware BMS inside.
- + Independent protection for charge and discharge.
- + Over voltage, low voltage, over temperature and short circuit protection.

# 12.8V35Ah

**Specification**

Model	R-LFP12.8V35Ah
Part Number	8010128003501
Nominal Voltage [V]	12.8
Nominal Capacity [Ah]	35
Total Energy [Wh]	448
Max. Charging Current [A]	35
Recommended Charging Current [A]	17.5
Charging Voltage [V]	14.6
Max. Discharging Current [A]	35
End of Discharge Voltage [V]	11.2
Pulse Discharge Current	50A @ 10s
Dimension [W*D*H, mm]	195*130*155
Weight [Kg]	4.83
Operation Humidity	0~95% RH (No condensing)
Operating Temperature Range	Charge: 0 ~ +50 °C; Discharge: -20 ~ +55 °C
BMS Protection	Over charge Over discharge, Over temperature, Short circuit
Parallel Support	Yes, Max 2 Sets
Series Support	Yes, Max 4 Sets
Cycle Life	>3000
Designed Calendar Life	>10 Years
Certification	UN38.3, CE, MSDS

Note:  
1. 80% DOD and to 80% of initial capacity.

The datasheet is subject to change without prior notification

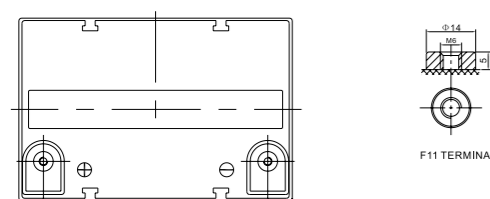
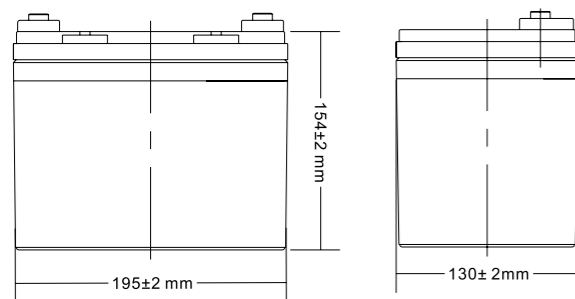
For more information, contact with: sales@ritarpower.com

# 12.8V40Ah

LFP Li-ion Battery



**Dimension:**



Unit: mm

**SAFETY**

- + Prismatic LiFePO4 cells (40Ah), High consistency, long cycle life and much more safety.
- + UN38.3, CE certification for system.
- + The cycle life over 3000 times @80%DOD

**DESIGN**

- + ABS container, replace VRLA battery perfectly.
- + Fast charge performance.
- + -20~ +55° C widely temperature range.
- + Maintenance free.

**BATTERY MANAGEMENT SYSTEM (BMS)**

- + Integrated hardware BMS inside.
- + Independent protection for charge and discharge.
- + Over voltage, low voltage, over temperature and short circuit protection.

# 12.8V40Ah

**Specification**

Model	R-LFP12.8V40Ah
Part Number	8010128004001
Nominal Voltage [V]	12.8
Nominal Capacity [Ah]	40
Total Energy [Wh]	512
Max. Charging Current [A]	40
Recommended Charging Current [A]	20
Charging Voltage [V]	14.6
Max. Discharging Current [A]	40
End of Discharge Voltage [V]	11.2
Pulse Discharge Current	50A @ 10s
Dimension [W*D*H, mm]	195*130*155
Weight [Kg]	4.87
Operation Humidity	0~95% RH (No condensing)
Operating Temperature Range	Charge: 0 ~ +50 °C; Discharge: -20 ~ +55 °C
BMS Protection	Over charge Over discharge, Over temperature, Short circuit
Parallel Support	Yes, Max 2 Sets
Series Support	Yes, Max 4 Sets
Cycle Life	>3000
Designed Calendar Life	>10 Years
Certification	UN38.3, CE, MSDS

Note:  
1. 80% DOD and to 80% of initial capacity.

The datasheet is subject to change without prior notification

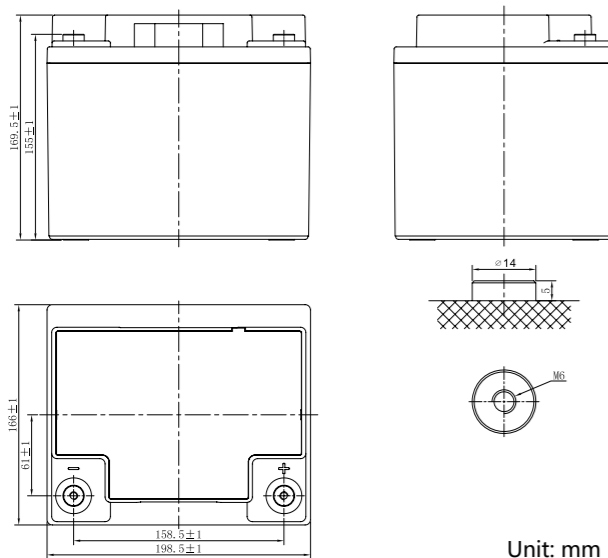
For more information, contact with: sales@ritarpower.com

# 12.8V40Ah

LFP Li-ion Battery



**Dimension:**



**SAFETY**

- + Prismatic LiFePO4 cells (40Ah), High consistency, long cycle life and much more safety.
- + UN38.3, CE certification for system.
- + The cycle life over 3000 times @80%DOD

**DESIGN**

- + ABS container, replace VRLA battery perfectly.
- + Fast charge performance.
- + -20~+55° C widely temperature range.
- + Maintenance free.

**BATTERY MANAGEMENT SYSTEM (BMS)**

- + Integrated hardware BMS inside.
- + Independent protection for charge and discharge.
- + Over voltage, low voltage, over temperature and short circuit protection.

# 12.8V40Ah

**Specification**

Model	R-LFP12.8V40Ah
Part Number	28010128004002
Nominal Voltage [V]	12.8
Nominal Capacity [Ah]	40
Total Energy [Wh]	512
Max. Charging Current [A]	40
Recommended Charging Current [A]	20
Charging Voltage [V]	14.6
Max. Discharging Current [A]	40
End of Discharge Voltage [V]	11.2
Pulse Discharge Current	50A @ 10s
Dimension [W*D*H, mm]	195*166*169
Weight [Kg]	4.95
Operation Humidity	0~95% RH (No condensing)
Operating Temperature Range	Charge: 0 ~ +50 °C; Discharge: -20 ~ +55 °C
BMS Protection	Over charge Over discharge, Over temperature, Short circuit
Parallel Support	Yes, Max 2 Sets
Series Support	Yes, Max 4 Sets
Cycle Life	>3000
Designed Calendar Life	>10 Years
Certification	UN38.3, CE, MSDS

Note:  
1. 80% DOD and to 80% of initial capacity.

The datasheet is subject to change without prior notification

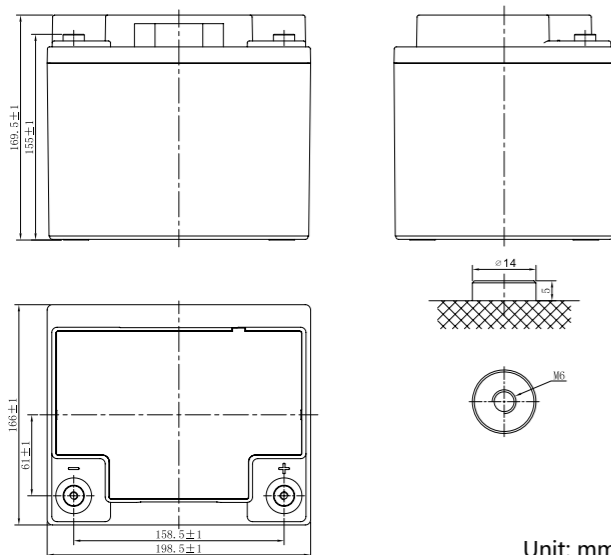
For more information, contact with: [sales@ritarpower.com](mailto:sales@ritarpower.com)

# 12.8V50Ah

LFP Li-ion Battery



**Dimension:**



**SAFETY**

- + Prismatic LiFePO4 cells (50Ah), High consistency, long cycle life and much more safety.
- + UN38.3, CE certification for system.
- + The cycle life over 3000 times @80%DOD

**DESIGN**

- + ABS container, replace VRLA battery perfectly.
- + Fast charge performance.
- + -20~+55° C widely temperature range.
- + Maintenance free.

**BATTERY MANAGEMENT SYSTEM (BMS)**

- + Integrated hardware BMS inside.
- + Independent protection for charge and discharge.
- + Over voltage, low voltage, over temperature and short circuit protection.

# 12.8V50Ah

**Specification**

Model	R-LFP12.8V50Ah
Part Number	8010128005001
Nominal Voltage [V]	12.8
Nominal Capacity [Ah]	50
Total Energy [Wh]	640
Max. Charging Current [A]	50
Recommended Charging Current [A]	25
Charging Voltage [V]	14.6
Max. Discharging Current [A]	50
End of Discharge Voltage [V]	11.2
Pulse Discharge Current	100A @ 10s
Dimension [W*D*H, mm]	198*166*169
Weight [Kg]	6.50
Operation Humidity	0~95% RH (No condensing)
Operating Temperature Range	Charge: 0 ~ +50 °C; Discharge: -20 ~ +55 °C
BMS Protection	Over charge Over discharge, Over temperature, Short circuit
Parallel Support	Yes, Max 2 Sets
Series Support	Yes, Max 4 Sets
Cycle Life	>3000
Designed Calendar Life	>10 Years
Certification	UN38.3, CE, MSDS

Note:  
1. 80% DOD and to 80% of initial capacity.

The datasheet is subject to change without prior notification

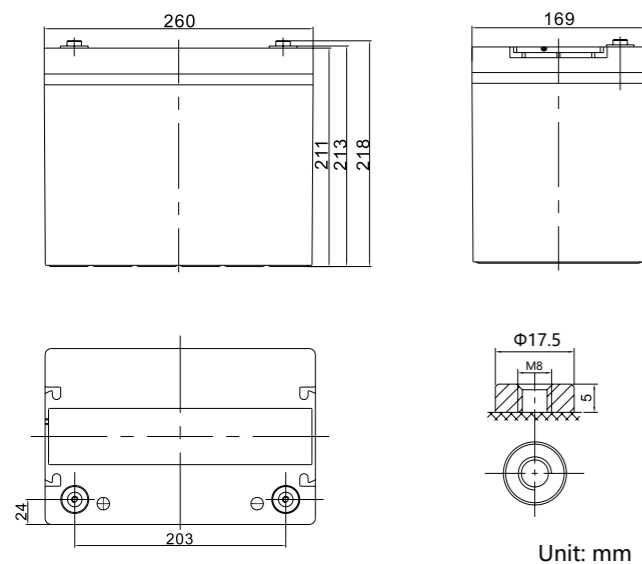
For more information, contact with: sales@ritarpower.com

# 12.8V75Ah

LFP Li-ion Battery



**Dimension:**



**SAFETY**

- + Prismatic LiFePO4 cells (38Ah), High consistency, long cycle life and much more safety.
- + UN38.3, CE certification for system.
- + The cycle life over 3000 times @80%DOD

**DESIGN**

- + ABS container, replace VRLA battery perfectly.
- + Fast charge performance.
- + -20~+55° C widely temperature range.
- + Maintenance free.

**BATTERY MANAGEMENT SYSTEM (BMS)**

- + Integrated hardware BMS inside.
- + Independent protection for charge and discharge.
- + Over voltage, low voltage, over temperature and short circuit protection.

# 12.8V75Ah

**Specification**

Model	R-LFP12.8V75Ah
Part Number	8010128007501
Nominal Voltage [V]	12.8
Nominal Capacity [Ah]	75
Total Energy [Wh]	960
Max. Charging Current [A]	75
Recommended Charging Current [A]	37.5
Charging Voltage [V]	14.6
Max. Discharging Current [A]	75
End of Discharge Voltage [V]	11.2
Pulse Discharge Current	150A @ 10s
Dimension [W*D*H, mm]	260*168*211
Weight [Kg]	10.0
Operation Humidity	0~95% RH (No condensing)
Operating Temperature Range	Charge: 0 ~ +50 °C; Discharge: -20 ~ +55 °C
BMS Protection	Over charge Over discharge, Over temperature, Short circuit
Parallel Support	Yes, Max 2 Sets
Series Support	Yes, Max 4 Sets
Cycle Life	>3000
Designed Calendar Life	>10 Years
Certification	UN38.3, CE, MSDS

Note:  
1. 80% DOD and to 80% of initial capacity.

The datasheet is subject to change without prior notification

For more information, contact with: sales@ritarpower.com

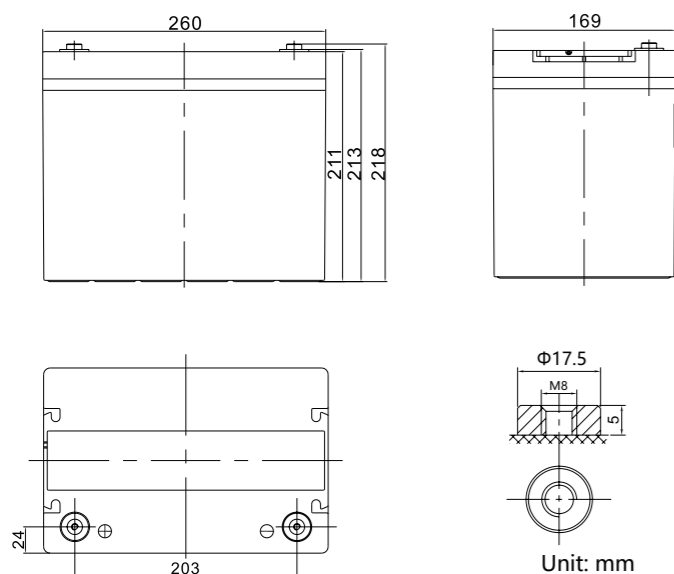


# 12.8V80Ah

LFP Li-ion Battery



**Dimension:**



**SAFETY**

- + Prismatic LiFePO4 cells (40Ah), High consistency, long cycle life and much more safety.
- + UN38.3, CE certification for system.
- + The cycle life over 3000 times @80%DOD

**DESIGN**

- + ABS container, replace VRLA battery perfectly.
- + Fast charge performance.
- + -20~+55° C widely temperature range.
- + Maintenance free.

**BATTERY MANAGEMENT SYSTEM (BMS)**

- + Integrated hardware BMS inside.
- + Independent protection for charge and discharge.
- + Over voltage, low voltage, over temperature and short circuit protection.

Unit: mm

# 12.8V80Ah

**Specification**

Model	R-LFP12.8V80Ah
Part Number	8010128008001
Nominal Voltage [V]	12.8
Nominal Capacity [Ah]	80
Total Energy [Wh]	1024
Max. Charging Current [A]	80
Recommended Charging Current [A]	40
Charging Voltage [V]	14.6
Max. Discharging Current [A]	80
End of Discharge Voltage [V]	11.2
Pulse Discharge Current	150A @ 10s
Dimension [W*D*H, mm]	260*168*211
Weight [Kg]	10.0
Operation Humidity	0~95% RH (No condensing)
Operating Temperature Range	Charge: 0 ~ +50 °C; Discharge: -20 ~ +55 °C
BMS Protection	Over charge Over discharge, Over temperature, Short circuit
Parallel Support	Yes, Max 2 Sets
Series Support	Yes, Max 4 Sets
Cycle Life	>3000
Designed Calendar Life	>10 Years
Certification	UN38.3, CE, MSDS

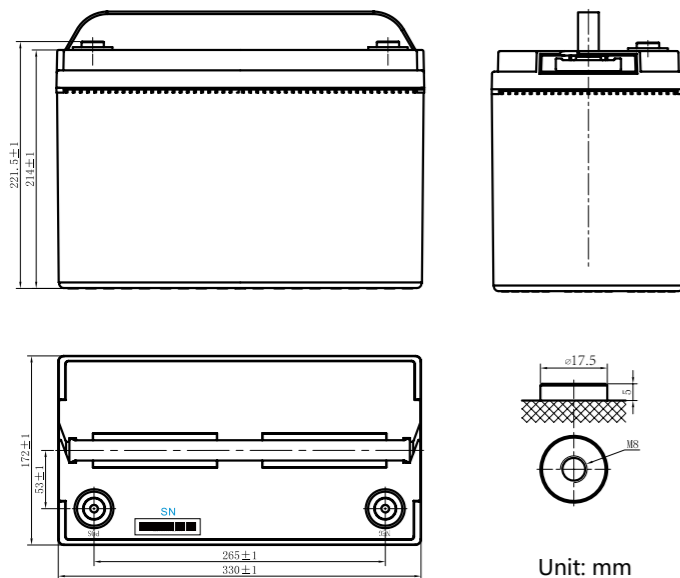
Note:  
1. 80% DOD and to 80% of initial capacity.

# 12.8V 100Ah

LFP Li-ion Battery



**Dimension:**



**SAFETY**

- + Prismatic LiFePO4 cells (50Ah), High consistency, long cycle life and much more safety.
- + UN38.3, CE certification for system.
- + The cycle life over 3000 times @80%DOD

**DESIGN**

- + ABS container, replace VRLA battery perfectly.
- + Fast charge performance.
- + -20~ +55° C widely temperature range.
- + Maintenance free.

**BATTERY MANAGEMENT SYSTEM (BMS)**

- + Integrated hardware BMS inside.
- + Independent protection for charge and discharge.
- + Over voltage, low voltage, over temperature and short circuit protection.

# 12.8V100Ah

**Specification**

Model	R-LFP12.8V100Ah
Part Number	8010128010001
Nominal Voltage [V]	12.8
Nominal Capacity [Ah]	100
Total Energy [Wh]	1280
Max. Charging Current [A]	100
Recommended Charging Current [A]	50
Charging Voltage [V]	14.6
Max. Discharging Current [A]	100
End of Discharge Voltage [V]	11.2
Pulse Discharge Current	270A @ 10s
Dimension [W*D*H, mm]	330*172*214
Weight [Kg]	13.4
Operation Humidity	0~95% RH (No condensing)
Operating Temperature Range	Charge: 0 ~ +50 °C; Discharge: -20 ~ +55 °C
BMS Protection	Over charge Over discharge, Over temperature, Short circuit
Parallel Support	Yes, Max 2 Sets
Series Support	Yes, Max 4 Sets
Cycle Life	>3000
Designed Calendar Life	>10 Years
Certification	UN38.3, CE, MSDS

Note:  
1. 80% DOD and to 80% of initial capacity.

The datasheet is subject to change without prior notification

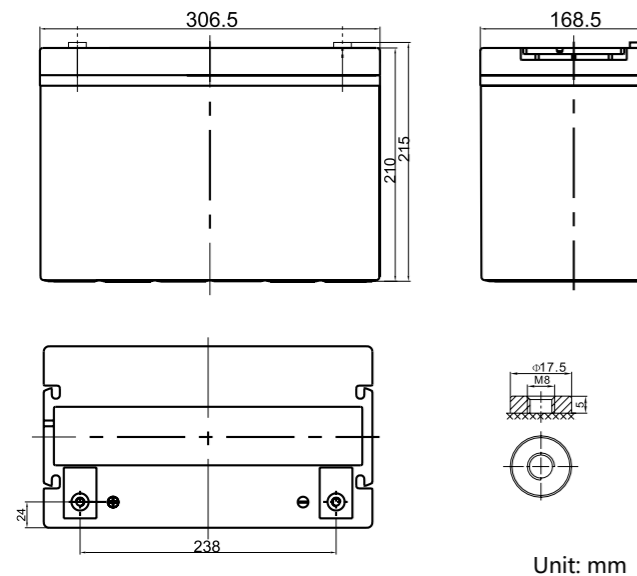
For more information, contact with: sales@ritarpower.com

# 12.8V100Ah

LFP Li-ion Battery



**Dimension:**



**SAFETY**

- + Prismatic LiFePO4 cells (50Ah), High consistency, long cycle life and much more safety.
- + UN38.3, CE certification for system.
- + The cycle life over 3000 times @80%DOD

**DESIGN**

- + ABS container, replace VRLA battery perfectly.
- + Fast charge performance.
- + -20~+55° C widely temperature range.
- + Maintenance free.

**BATTERY MANAGEMENT SYSTEM (BMS)**

- + Integrated hardware BMS inside.
- + Independent protection for charge and discharge.
- + Over voltage, low voltage, over temperature and short circuit protection.

# 12.8V100Ah

**Specification**

Model	R-LFP12.8V100Ah
Part Number	8010128010002
Nominal Voltage [V]	12.8
Nominal Capacity [Ah]	100
Total Energy [Wh]	1280
Max. Charging Current [A]	100
Recommended Charging Current [A]	50
Charging Voltage [V]	14.6
Max. Discharging Current [A]	100
End of Discharge Voltage [V]	11.2
Pulse Discharge Current	270A @ 10s
Dimension [W*D*H, mm]	306*168*210
Weight [Kg]	12.9
Operation Humidity	0~95% RH (No condensing)
Operating Temperature Range	Charge: 0 ~ +50 °C; Discharge: -20 ~ +55 °C
BMS Protection	Over charge Over discharge, Over temperature, Short circuit
Parallel Support	Yes, Max 2 Sets
Series Support	Yes, Max 4 Sets
Cycle Life	>3000
Designed Calendar Life	>10 Years
Certification	UN38.3, CE, MSDS

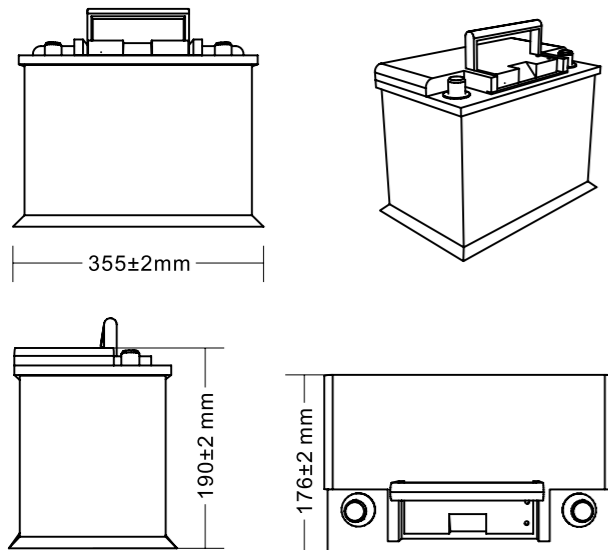
Note:  
1. 80% DOD and to 80% of initial capacity.

# 12.8V 100Ah

LFP Li-ion Battery



**Dimension:**



Unit: mm

**SAFETY**

- + Prismatic LiFePO4 cells (50Ah), High consistency, long cycle life and much more safety.
- + UN38.3, CE certification for system.
- + The cycle life over 3000 times @80%DOD

**DESIGN**

- + ABS container, replace VRLA battery perfectly.
- + Fast charge performance.
- + -20~ +55° C widely temperature range.
- + Maintenance free.

**BATTERY MANAGEMENT SYSTEM (BMS)**

- + Integrated hardware BMS inside.
- + Independent protection for charge and discharge.
- + Over voltage, low voltage, over temperature and short circuit protection.

# 12.8V100Ah

**Specification**

Model	R-LFP12.8V100Ah
Part Number	8010128010003
Nominal Voltage [V]	12.8
Nominal Capacity [Ah]	100
Total Energy [Wh]	1280
Max. Charging Current [A]	100
Recommended Charging Current [A]	50
Charging Voltage [V]	14.6
Max. Discharging Current [A]	100
End of Discharge Voltage [V]	11.2
Pulse Discharge Current	270A @ 10s
Dimension [W*D*H, mm]	355*176*190
Weight [Kg]	15.0
Operation Humidity	0~95% RH (No condensing)
Operating Temperature Range	Charge: 0 ~ +50 °C; Discharge: -20 ~ +55 °C
BMS Protection	Over charge Over discharge, Over temperature, Short circuit
Parallel Support	Yes, Max 2 Sets
Series Support	Yes, Max 4 Sets
Cycle Life	>3000
Designed Calendar Life	>10 Years
Certification	UN38.3, CE, MSDS

Note:  
1. 80% DOD and to 80% of initial capacity.

The datasheet is subject to change without prior notification

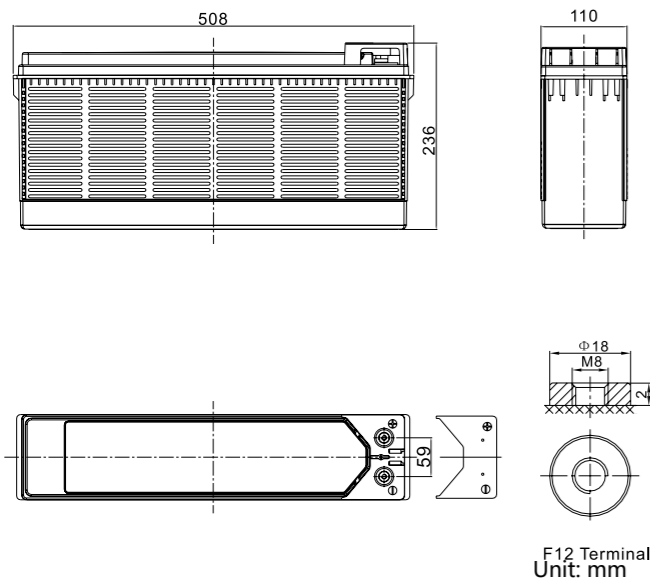
For more information, contact with: sales@ritarpower.com

# 12.8V 100Ah

LFP Li-ion Battery



**Dimension:**



**SAFETY**

- + Prismatic LiFePO4 cells (50Ah), High consistency, long cycle life and much more safety.
- + UN38.3, CE certification for system.
- + The cycle life over 3000 times @80%DOD

**DESIGN**

- + ABS container, replace VRLA battery perfectly.
- + Fast charge performance.
- + -20~+55° C widely temperature range.
- + Maintenance free.

**BATTERY MANAGEMENT SYSTEM (BMS)**

- + Integrated hardware BMS inside.
- + Independent protection for charge and discharge.
- + Over voltage, low voltage, over temperature and short circuit protection.

# 12.8V100Ah

**Specification**

Model	R-LFP12.8V100Ah
Part Number	8010128010004
Nominal Voltage [V]	12.8
Nominal Capacity [Ah]	100
Total Energy [Wh]	1280
Max. Charging Current [A]	100
Recommended Charging Current [A]	50
Charging Voltage [V]	14.6
Max. Discharging Current [A]	100
End of Discharge Voltage [V]	11.2
Pulse Discharge Current	270A @ 10s
Dimension [W*D*H, mm]	151*65*93.5
Weight [Kg]	14.5
Operation Humidity	0~95% RH (No condensing)
Operating Temperature Range	Charge: 0 ~ +50 °C; Discharge: -20 ~ +55 °C
BMS Protection	Over charge Over discharge, Over temperature, Short circuit
Parallel Support	Yes, Max 2 Sets
Series Support	Yes, Max 4 Sets
Cycle Life	>3000
Designed Calendar Life	>10 Years
Certification	UN38.3, CE, MSDS

Note:  
1. 80% DOD and to 80% of initial capacity.

The datasheet is subject to change without prior notification

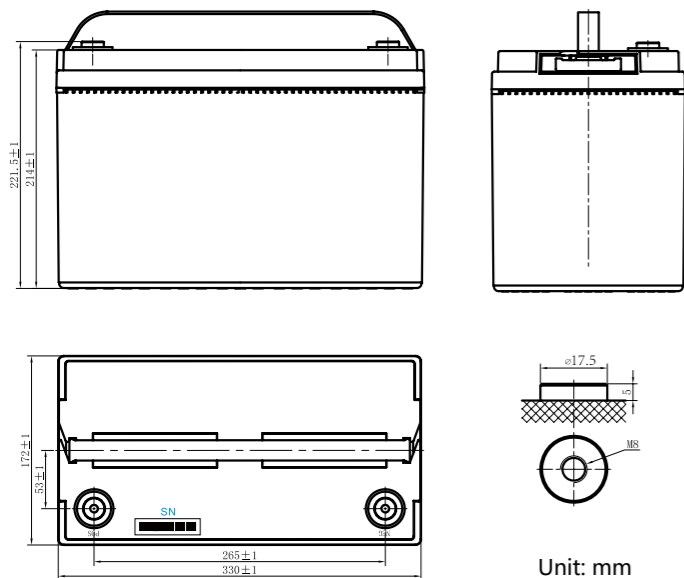
For more information, contact with: sales@ritarpower.com

# 12.8V135Ah

LFP Li-ion Battery



**Dimension:**



**SAFETY**

- + Prismatic LiFePO4 cells (135Ah), High consistency, long cycle life and much more safety.
- + UN38.3, CE certification for system.
- + The cycle life over 3000 times @80%DOD

**DESIGN**

- + ABS container, replace VRLA battery perfectly.
- + Fast charge performance.
- + -20~+55° C widely temperature range.
- + Maintenance free.

**BATTERY MANAGEMENT SYSTEM (BMS)**

- + Integrated hardware BMS inside.
- + Independent protection for charge and discharge.
- + Over voltage, low voltage, over temperature and short circuit protection.

# 12.8V135Ah

**Specification**

Model	R-LFP12.8V135Ah
Part Number	8010128013501
Nominal Voltage [V]	12.8
Nominal Capacity [Ah]	135
Total Energy [Wh]	1728
Max. Charging Current [A]	100
Recommended Charging Current [A]	67.5
Charging Voltage [V]	14.6
Max. Discharging Current [A]	100
End of Discharge Voltage [V]	11.2
Pulse Discharge Current	270A @ 10s
Dimension [W*D*H, mm]	330*172*214
Weight [Kg]	19.0
Operation Humidity	0~95% RH (No condensing)
Operating Temperature Range	Charge: 0 ~ +50 °C; Discharge: -20 ~ +55 °C
BMS Protection	Over charge Over discharge, Over temperature, Short circuit
Parallel Support	Yes, Max 2 Sets
Series Support	Yes, Max 4 Sets
Cycle Life	>3000
Designed Calendar Life	>10 Years
Certification	UN38.3, CE, MSDS

Note:  
1. 80% DOD and to 80% of initial capacity.

The datasheet is subject to change without prior notification

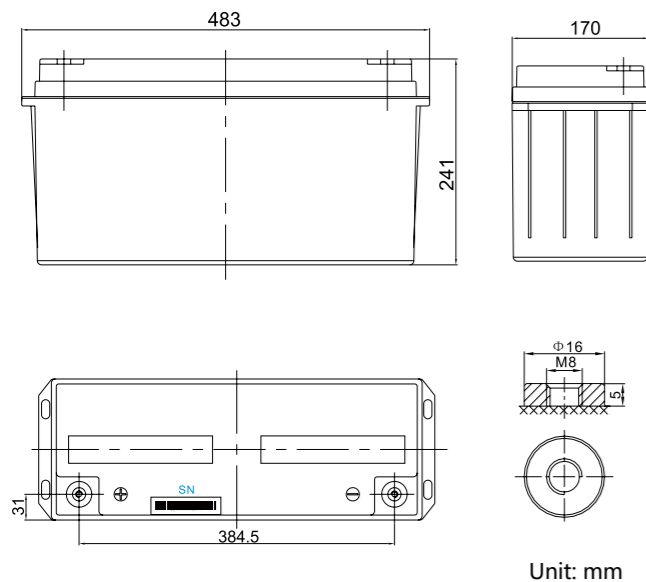
For more information, contact with: sales@ritarpower.com

# 12.8V150Ah

LFP Li-ion Battery



**Dimension:**



**SAFETY**

- + Prismatic LiFePO4 cells (50Ah), High consistency, long cycle life and much more safety.
- + UN38.3, CE certification for system.
- + The cycle life over 3500 times @80%DOD

**DESIGN**

- + ABS container, replace VRLA battery perfectly.
- + Fast charge performance.
- + -20~+55° C widely temperature range.
- + Maintenance free.

**BATTERY MANAGEMENT SYSTEM (BMS)**

- + Integrated hardware BMS inside.
- + Independent protection for charge and discharge.
- + Over voltage, low voltage, over temperature and short circuit protection.

# 12.8V150Ah

**Specification**

Model	R-LFP12.8V150Ah
Part Number	8010128015001
Nominal Voltage [V]	12.8
Nominal Capacity [Ah]	150
Total Energy [Wh]	1920
Max. Charging Current [A]	100
Recommended Charging Current [A]	75
Charging Voltage [V]	14.6
Max. Discharging Current [A]	100
End of Discharge Voltage [V]	11.2
Pulse Discharge Current	270A @ 10s
Dimension [W*D*H, mm]	483*170*241
Weight [Kg]	20.00
Operation Humidity	0~95% RH (No condensing)
Operating Temperature Range	Charge: 0 ~ +50 °C; Discharge: -20 ~ +55 °C
BMS Protection	Over charge Over discharge, Over temperature, Short circuit
Parallel Support	Yes, Max 2 Sets
Series Support	Yes, Max 4 Sets
Cycle Life	>3500
Designed Calendar Life	>10 Years
Certification	UN38.3, CE, MSDS

Note:  
1. 80% DOD and to 80% of initial capacity.

The datasheet is subject to change without prior notification

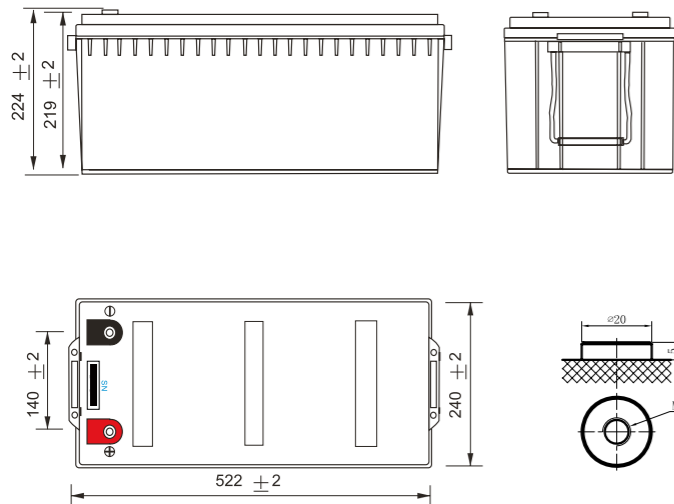
For more information, contact with: sales@ritarpower.com

# 12.8V200Ah

LFP Li-ion Battery



**Dimension:**



Unit: mm

**SAFETY**

- + Prismatic LiFePO4 cells (205Ah), High consistency, long cycle life and much more safety.
- + UN38.3, CE certification for system.
- + The cycle life over 3500 times @80%DOD

**DESIGN**

- + ABS container, replace VRLA battery perfectly.
- + Fast charge performance.
- + -20~+55° C widely temperature range.
- + Maintenance free.

**BATTERY MANAGEMENT SYSTEM (BMS)**

- + Integrated hardware BMS inside.
- + Independent protection for charge and discharge.
- + Over voltage, low voltage, over temperature and short circuit protection.

# 12.8V200Ah

**Specification**

Model	R-LFP12.8V200Ah
Part Number	8010128020001
Nominal Voltage [V]	12.8
Nominal Capacity [Ah]	200
Total Energy [Wh]	2560
Max. Charging Current [A]	100
Recommended Charging Current [A]	80
Charging Voltage [V]	14.6
Max. Discharging Current [A]	100
End of Discharge Voltage [V]	11.2
Pulse Discharge Current	270A @ 10s
Dimension [W*D*H, mm]	522*240*219
Weight [Kg]	25.6
Operation Humidity	0~95% RH (No condensing)
Operating Temperature Range	Charge: 0 ~ +50 °C; Discharge: -20 ~ +55 °C
BMS Protection	Over charge Over discharge, Over temperature, Short circuit
Parallel Support	Yes, Max 2 Sets
Series Support	Yes, Max 4 Sets
Cycle Life	>3500
Designed Calendar Life	>10 Years
Certification	UN38.3, CE, MSDS

Note:  
1. 80% DOD and to 80% of initial capacity.

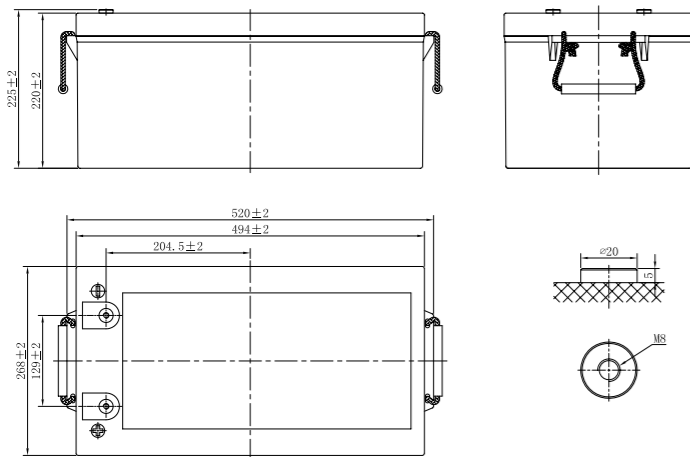


# 12.8V 300Ah

LFP Li-ion Battery



**Dimension:**



Unit: mm

**SAFETY**

- + Prismatic LiFePO4 cells (100Ah), High consistency, long cycle life and much more safety.
- + UN38.3, CE certification for system.
- + The cycle life over 3500 times @80%DOD

**DESIGN**

- + ABS container, replace VRLA battery perfectly.
- + Fast charge performance.
- + -20~+55° C widely temperature range.
- + Maintenance free.

**BATTERY MANAGEMENT SYSTEM (BMS)**

- + Integrated hardware BMS inside.
- + Independent protection for charge and discharge.
- + Over voltage, low voltage, over temperature and short circuit protection.

# 12.8V300Ah

**Specification**

Model	R-LFP12.8V300Ah
Part Number	8010128030001
Nominal Voltage [V]	12.8
Nominal Capacity [Ah]	300
Total Energy [Wh]	3840
Max. Charging Current [A]	100
Recommended Charging Current [A]	80
Charging Voltage [V]	14.6
Max. Discharging Current [A]	100
End of Discharge Voltage [V]	11.2
Pulse Discharge Current	270A @ 10s
Dimension [W*D*H, mm]	522*268*220
Weight [Kg]	32.00
Operation Humidity	0~95% RH (No condensing)
Operating Temperature Range	Charge: 0 ~ +50 °C; Discharge: -20 ~ +55 °C
BMS Protection	Over charge Over discharge, Over temperature, Short circuit
Parallel Support	Yes, Max 2 Sets
Series Support	Yes, Max 4 Sets
Cycle Life	>3500
Designed Calendar Life	>10 Years
Certification	UN38.3, CE, MSDS

Note:  
1. 80% DOD and to 80% of initial capacity.



## 12.8V Series

(Bluetooth product 811\*\*\*, High Current Product 911\*\*)

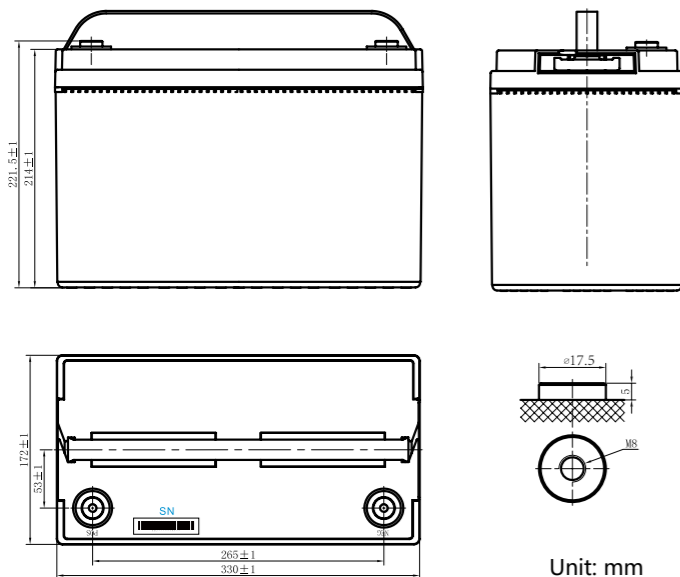
Model	Part Number	Rated Voltage [V]	Rated Capacity [Ah]	Length [mm]	Width [mm]	Height [mm]	Weight [Kg]	Terminal	Remark
R-LFP12.8V100Ah	8110128012001	12.8	100	330	172	214	13.4	F12 (Φ17.5, M8)	Bluetooth
R-LFP12.8V135Ah	8110128013501	12.8	135	330	172	214	19	F12 (Φ17.5, M8)	Bluetooth
R-LFP12.8V150Ah	8110128015001	12.8	150	483	170	241	20	F12 (Φ17.5, M8)	Bluetooth
R-LFP12.8V150Ah	9110128015001	12.8	150	483	170	241	20	F12 (Φ17.5, M8)	150A discharge current
R-LFP12.8V200Ah	9110128020001	12.8	200	522	240	219	25.6	F10 (Φ20, M8)	150A discharge current

# 12.8V 100Ah

Bluetooth Battery



**Dimension:**



**SAFETY**

- + Prismatic LiFePO4 cells, High consistency, long cycle life and much more safety.
- + UN38.3, CE certification for system.
- + The cycle life over 3000 times @80%DOD

**DESIGN**

- + ABS container, replace VRLA battery perfectly.
- + Fast charge performance.
- + -20~+55° C widely temperature range.
- + Maintenance free.

**BATTERY MANAGEMENT SYSTEM (BMS)**

- + Integrated hardware BMS inside.
- + Independent protection for charge and discharge.
- + Over voltage, low voltage, Over Current, Over temperature, Low temperature and short circuit protection.
- + Bluetooth communication, APP for Android and iPhone.

Unit: mm

# 12.8V 100Ah

**Specification**

Model	R-LFP12.8V100Ah
Part Number	8110128010001
Nominal Voltage [V]	12.8
Nominal Capacity [Ah]	100
Total Energy [Wh]	1280
Max. Charging Current [A]	100
Recommended Charging Current [A]	50
Charging Voltage [V]	14.6
Max. Discharging Current [A]	100
End of Discharge Voltage [V]	11.2
Pulse Discharge Current	300A @ 1s
Dimension [W*D*H, mm]	330*172*214
Weight [Kg]	13.4
Operation Humidity	0~95% RH (No condensing)
Operating Temperature Range	Charge: 0 ~ +50 °C ; Discharge: -20 ~ +55 °C
BMS Protection	Over charge Over discharge, Over current (Charge 110A@1s, Discharge 300A@1s) Over temperature (Charge 65°C ,Discharge 75°C )
Parallel Support	No Support
Series Support	Yes, Max 4 Sets
Cycle Life	> 3000
Designed Calendar Life	>10 Years
Communication	Bluetooth (APP for Android and iPhone )

Note:  
1. 80% DOD and to 80% of initial capacity.

The datasheet is subject to change without prior notification

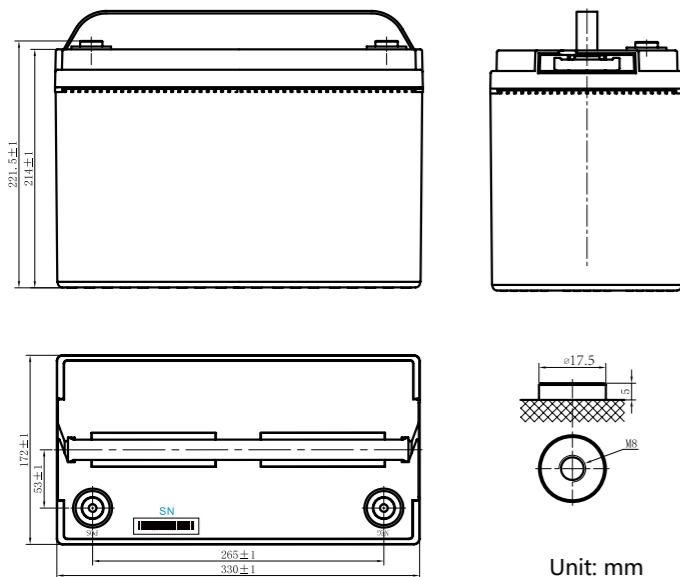
For more information, contact with: sales@ritarpower.com

# 12.8V 135Ah

Bluetooth Battery



**Dimension:**



**SAFETY**

- + Prismatic LiFePO4 cells, High consistency, long cycle life and much more safety.
- + UN38.3, CE certification for system.
- + The cycle life over 3000 times @80%DOD

**DESIGN**

- + ABS container, replace VRLA battery perfectly.
- + Fast charge performance.
- + -20~+55° C widely temperature range.
- + Maintenance free.

**BATTERY MANAGEMENT SYSTEM (BMS)**

- + Integrated hardware BMS inside.
- + Independent protection for charge and discharge.
- + Over voltage, low voltage, Over Current, Over temperature, Low temperature and short circuit protection.
- + Bluetooth communication, APP for Android and iPhone.

# 12.8V 135Ah

**Specification**

Model	R-LFP12.8V135Ah
Part Number	8110128013501
Nominal Voltage [V]	12.8
Nominal Capacity [Ah]	100
Total Energy [Wh]	1728
Max. Charging Current [A]	100
Recommended Charging Current [A]	67.5
Charging Voltage [V]	14.6
Max. Discharging Current [A]	100
End of Discharge Voltage [V]	11.2
Pulse Discharge Current	300A @ 1s
Dimension [W*D*H, mm]	330*172*214
Weight [Kg]	19.0
Operation Humidity	0~95% RH (No condensing)
Operating Temperature Range	Charge: 0 ~ +50 °C ; Discharge: -20 ~ +55 °C
BMS Protection	Over charge Over discharge, Over current (Charge 110A@1s, Discharge 300A@1s) Over temperature (Charge 65°C ,Discharge 75°C )
Parallel Support	No Support
Series Support	Yes, Max 4 Sets
Cycle Life	> 3000
Designed Calendar Life	>10 Years
Communication	Bluetooth (APP for Android and iPhone )

Note:  
1. 80% DOD and to 80% of initial capacity.

The datasheet is subject to change without prior notification

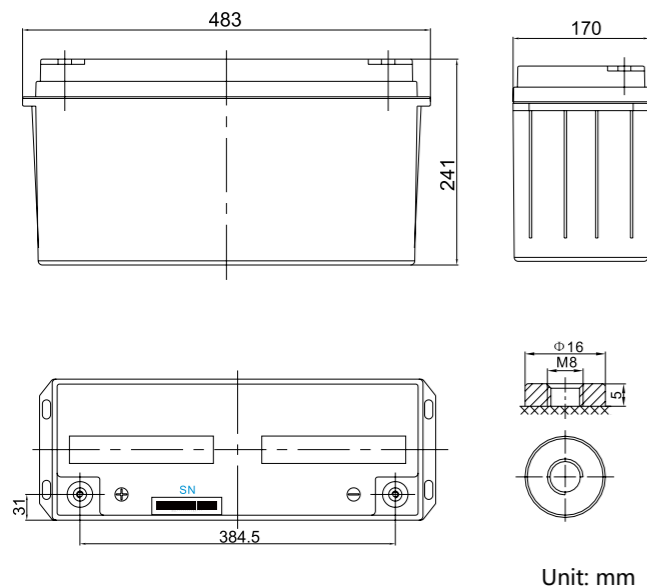
For more information, contact with: sales@ritarpower.com

# 12.8V 150Ah

Bluetooth Battery



**Dimension:**



**SAFETY**

- + Prismatic LiFePO4 cells, High consistency, long cycle life and much more safety.
- + UN38.3, CE certification for system.
- + The cycle life over 3000 times @80%DOD

**DESIGN**

- + ABS container, replace VRLA battery perfectly.
- + Fast charge performance.
- + -20~+55° C widely temperature range.
- + Maintenance free.

**BATTERY MANAGEMENT SYSTEM (BMS)**

- + Integrated hardware BMS inside.
- + Independent protection for charge and discharge.
- + Over voltage, low voltage, Over Current, Over temperature, Low temperature and short circuit protection.
- + Bluetooth communication, APP for Android and iPhone.

# 12.8V 150Ah

**Specification**

Model	R-LFP12.8V150Ah
Part Number	8110128015001
Nominal Voltage [V]	12.8
Nominal Capacity [Ah]	150
Total Energy [Wh]	1920
Max. Charging Current [A]	100
Recommended Charging Current [A]	75
Charging Voltage [V]	14.6
Max. Discharging Current [A]	100
End of Discharge Voltage [V]	11.2
Pulse Discharge Current	300A @ 1s
Dimension [W*D*H, mm]	483*170*241
Weight [Kg]	19.0
Operation Humidity	0~95% RH (No condensing)
Operating Temperature Range	Charge: 0 ~ +50 °C; Discharge: -20 ~ +55 °C
BMS Protection	Over charge Over discharge, Over current (Charge 110A@1s, Discharge 300A@1s) Over temperature (Charge 65°C ,Discharge 75°C )
Parallel Support	No Support
Series Support	Yes, Max 4 Sets
Cycle Life	> 3000
Designed Calendar Life	>10 Years
Communication	Bluetooth (APP for Android and iPhone )

Note:  
1. 80% DOD and to 80% of initial capacity.

The datasheet is subject to change without prior notification

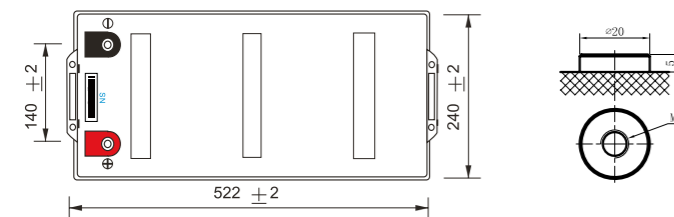
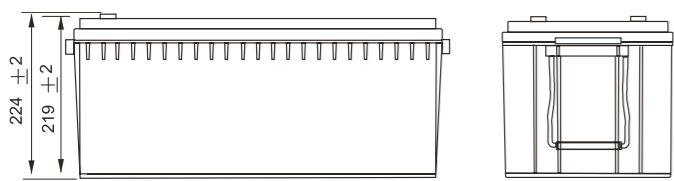
For more information, contact with: sales@ritarpower.com

# 12.8V200Ah

Bluetooth Battery



**Dimension:**



Unit: mm

**SAFETY**

- + Prismatic LiFePO4 cells, High consistency, long cycle life and much more safety.
- + UN38.3, CE certification for system.
- + The cycle life over 3000 times @80%DOD

**DESIGN**

- + ABS container, replace VRLA battery perfectly.
- + Fast charge performance.
- + -20~+55° C widely temperature range.
- + Maintenance free.

**BATTERY MANAGEMENT SYSTEM (BMS)**

- + Integrated hardware BMS inside.
- + Independent protection for charge and discharge.
- + Over voltage, low voltage, Over Current, Over temperature, Low temperature and short circuit protection.
- + Bluetooth communication, APP for Android and iPhone.

# 12.8V200Ah

**Specification**

Model	R-LFP12.8V200Ah
Part Number	8110128020001
Nominal Voltage [V]	12.8
Nominal Capacity [Ah]	200
Total Energy [Wh]	2560
Max. Charging Current [A]	100
Recommended Charging Current [A]	80
Charging Voltage [V]	14.6
Max. Discharging Current [A]	100
End of Discharge Voltage [V]	11.2
Pulse Discharge Current	300A @ 1s
Dimension [W*D*H, mm]	522*240*219
Weight [Kg]	25.6
Operation Humidity	0~95% RH (No condensing)
Operating Temperature Range	Charge: 0 ~ +50 °C ; Discharge: -20 ~ +55 °C
BMS Protection	Over charge Over discharge, Over current (Charge 110A@1s, Discharge 300A@1s) Over temperature (Charge 65°C ,Discharge 75°C )
Parallel Support	No Support
Series Support	Yes, Max 4 Sets
Cycle Life	> 3000
Designed Calendar Life	>10 Years
Communication	Bluetooth (APP for Android and iPhone )

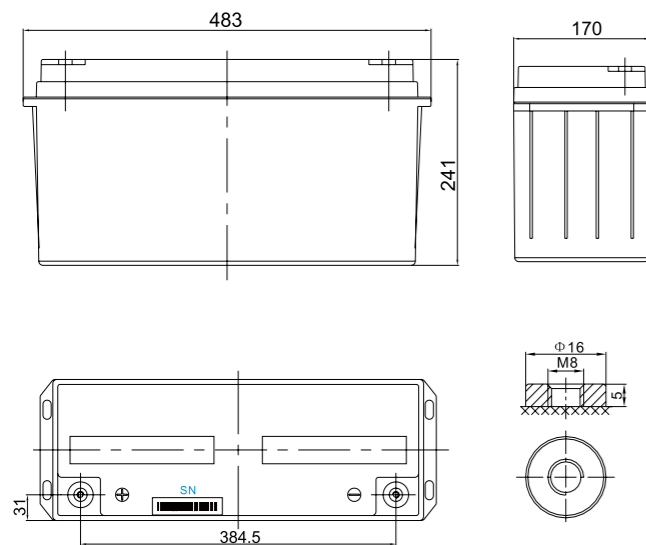
Note:  
1. 80% DOD and to 80% of initial capacity.

# 12.8V 150Ah

LFP Li-ion Battery-150A Current



**Dimension:**



Unit: mm

**SAFETY**

- + Prismatic LiFePO4 cells, High consistency, long cycle life and much more safety.
- + UN38.3, CE certification for system.
- + The cycle life over 3000 times @80%DOD

**DESIGN**

- + ABS container, replace VRLA battery perfectly.
- + Fast charge performance.
- + -20~+55° C widely temperature range.
- + Maintenance free.

**BATTERY MANAGEMENT SYSTEM (BMS)**

- + Integrated hardware BMS inside.
- + Independent protection for charge and discharge.
- + Over voltage, low voltage, Over temperature and short circuit protection.

# 12.8V 150Ah

**Specification**

Model	R-LFP12.8V150Ah
Part Number	9110128015001
Nominal Voltage [V]	12.8
Nominal Capacity [Ah]	150
Total Energy [Wh]	1920
Max. Charging Current [A]	150
Recommended Charging Current [A]	75
Charging Voltage [V]	14.6
Max. Discharging Current [A]	150
End of Discharge Voltage [V]	11.2
Pulse Discharge Current	300A @ 10s
Dimension [W*D*H, mm]	483*170*241
Weight [Kg]	20.0
Operation Humidity	0~95% RH (No condensing)
Operating Temperature Range	Charge: 0 ~ +50 °C; Discharge: -20 ~ +55 °C
BMS Protection	Over charge Over discharge, Over temperature, Short circuit
Parallel Support	Yes, Max 2 Sets
Series Support	Yes, Max 4 Sets
Cycle Life	>3000
Designed Calendar Life	>10 Years

**Note:**

- 1. 80% DOD and to 80% of initial capacity.

The datasheet is subject to change without prior notification

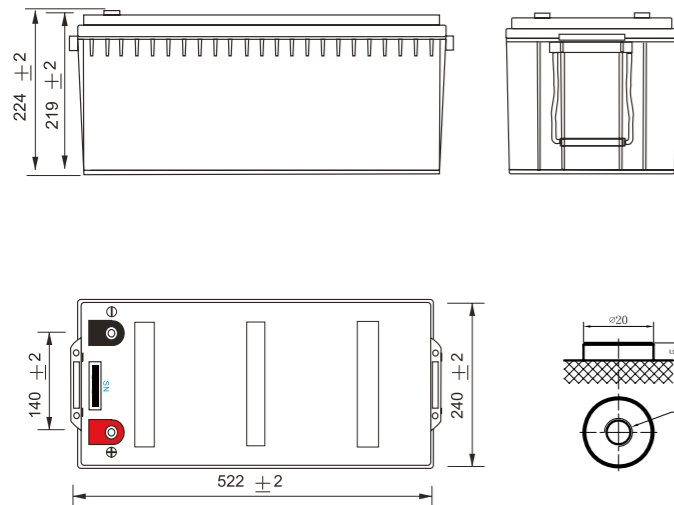
For more information, contact with: [sales@ritarpower.com](mailto:sales@ritarpower.com)

# 12.8V200Ah

LFP Li-ion Battery-150A Current



**Dimension:**



Unit: mm

**SAFETY**

- + Prismatic LiFePO4 cells, High consistency, long cycle life and much more safety.
- + UN38.3, CE certification for system.
- + The cycle life over 3000 times @80%DOD

**DESIGN**

- + ABS container, replace VRLA battery perfectly.
- + Fast charge performance.
- + -20~+55° C widely temperature range.
- + Maintenance free.

**BATTERY MANAGEMENT SYSTEM (BMS)**

- + Integrated hardware BMS inside.
- + Independent protection for charge and discharge.
- + Over voltage, low voltage, Over temperature and short circuit protection.

# 12.8V200Ah

**Specification**

Model	R-LFP12.8V200Ah
Part Number	9110128020001
Nominal Voltage [V]	12.8
Nominal Capacity [Ah]	200
Total Energy [Wh]	2560
Max. Charging Current [A]	150
Recommended Charging Current [A]	100
Charging Voltage [V]	14.6
Max. Discharging Current [A]	150
End of Discharge Voltage [V]	11.2
Pulse Discharge Current	300A @ 10s
Dimension [W*D*H, mm]	522*240*219
Weight [Kg]	25.6
Operation Humidity	0~95% RH (No condensing)
Operating Temperature Range	Charge: 0 ~ +50 °C; Discharge: -20 ~ +55 °C
BMS Protection	Over charge Over discharge, Over temperature, Short circuit
Parallel Support	Yes, Max 2 Sets
Series Support	Yes, Max 4 Sets
Cycle Life	>3000
Designed Calendar Life	>10 Years

**Note:**

1. 80% DOD and to 80% of initial capacity.

The datasheet is subject to change without prior notification

For more information, contact with: [sales@ritarpower.com](mailto:sales@ritarpower.com)



## 25.6V Series (Standard product 801\*\*\*)



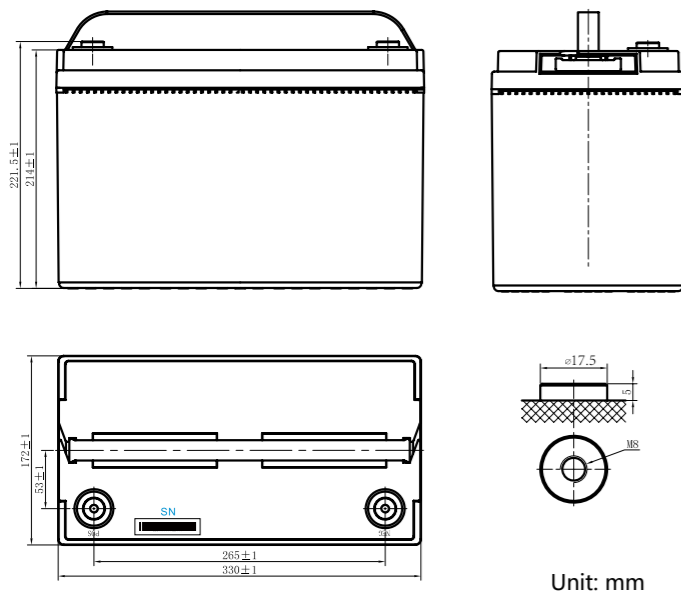
Model	Part Number	Rated Voltage [V]	Rated Capacity [Ah]	Length [mm]	Width [mm]	Height [mm]	Weight [Kg]	Terminal	Remark
R-LFP25.6V50Ah	8010256005001	25.6	50	330	172	214	15	F12 (Φ17.5, M8)	
R-LFP25.6V100Ah	8010256010001	25.6	100	522	240	219	25.2	F10 (Φ20, M8)	
R-LFP25.6V135Ah	8010256013501	25.6	135	522	240	219	31	F10 (Φ20, M8)	
R-LFP25.6V150Ah	8010256015001	25.6	150	522	268	219	35	F10 (Φ20, M8)	
R-LFP25.6V200Ah	8010256020001	25.6	200	522	268	219	40	F10 (Φ20, M8)	

# 25.6V 50Ah

LFP Li-ion Battery



**Dimension:**



**SAFETY**

- + Prismatic LiFePO4 cells (50Ah), High consistency, long cycle life and much more safety.
- + UN38.3, CE certification for system.
- + The cycle life over 3000 times @80%DOD

**DESIGN**

- + ABS container, replace VRLA battery perfectly.
- + Fast charge performance.
- + -20~+55° C widely temperature range.
- + Maintenance free.

**BATTERY MANAGEMENT SYSTEM (BMS)**

- + Integrated hardware BMS inside.
- + Independent protection for charge and discharge.
- + Over voltage, low voltage, over temperature and short circuit protection.

# 25.6V50Ah

**Specification**

Model	R-LFP25.6V50Ah
Part Number	8010256005001
Nominal Voltage [V]	25.6
Nominal Capacity [Ah]	50
Total Energy [Wh]	1280
Max. Charging Current [A]	50
Recommended Charging Current [A]	25
Charging Voltage [V]	29.2
Max. Discharging Current [A]	50
End of Discharge Voltage [V]	22.4
Pulse Discharge Current	100A @ 10s
Dimension [W*D*H, mm]	330*172*214
Weight [Kg]	15.0
Operation Humidity	0~95% RH (No condensing)
Operating Temperature Range	Charge: 0 ~ +50 °C; Discharge: -20 ~ +55 °C
BMS Protection	Over charge Over discharge, Over temperature, Short circuit
Parallel Support	Yes, Max 2 Sets
Series Support	No Support
Cycle Life	> 3000
Designed Calendar Life	>10 Years
Certification	UN38.3, CE, MSDS

Note:  
1. 80% DOD and to 80% of initial capacity.

The datasheet is subject to change without prior notification

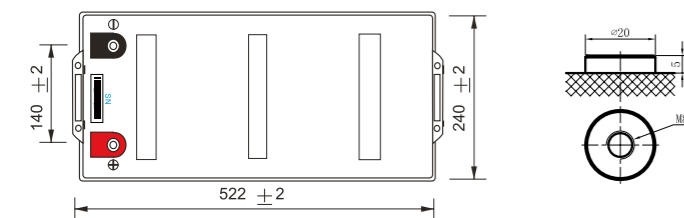
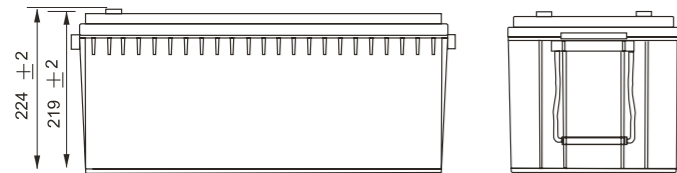
For more information, contact with: sales@ritarpower.com

# 25.6V 100Ah

LFP Li-ion Battery



**Dimension:**



Unit: mm

**SAFETY**

- + Prismatic LiFePO4 cells (50Ah), High consistency, long cycle life and much more safety.
- + UN38.3, CE certification for system.
- + The cycle life over 3000 times @80%DOD

**DESIGN**

- + ABS container, replace VRLA battery perfectly.
- + Fast charge performance.
- + -20~+55° C widely temperature range.
- + Maintenance free.

**BATTERY MANAGEMENT SYSTEM (BMS)**

- + Integrated hardware BMS inside.
- + Independent protection for charge and discharge.
- + Over voltage, low voltage, over temperature and short circuit protection.

# 25.6V100Ah

**Specification**

Model	R-LFP25.6V100Ah
Part Number	8010256010001
Nominal Voltage [V]	25.6
Nominal Capacity [Ah]	100
Total Energy [Wh]	2560
Max. Charging Current [A]	100
Recommended Charging Current [A]	50
Charging Voltage [V]	29.2
Max. Discharging Current [A]	100
End of Discharge Voltage [V]	22.4
Pulse Discharge Current	270A @ 10s
Dimension [W*D*H, mm]	522*240*219
Weight [Kg]	25.2
Operation Humidity	0~95% RH (No condensing)
Operating Temperature Range	Charge: 0 ~ +50 °C; Discharge: -20 ~ +55 °C
BMS Protection	Over charge Over discharge, Over temperature, Short circuit
Parallel Support	Yes, Max 2 Sets
Series Support	No Support
Cycle Life	> 3000
Designed Calendar Life	>10 Years
Certification	UN38.3, CE, MSDS

**Note:**

- 1. 80% DOD and to 80% of initial capacity.

The datasheet is subject to change without prior notification

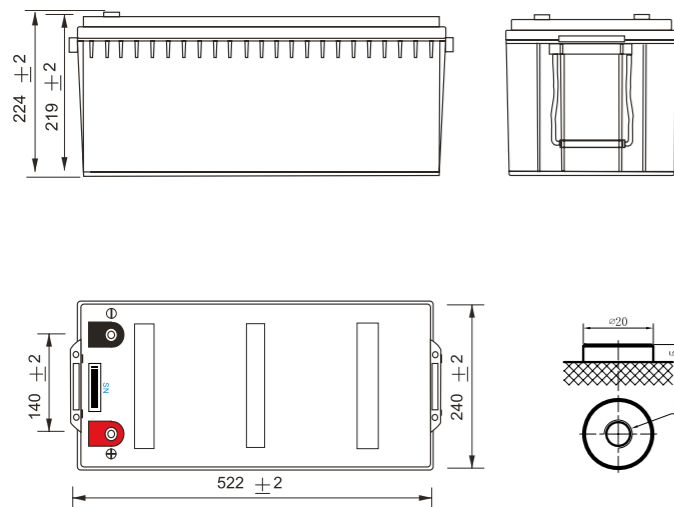
For more information, contact with: sales@ritarpower.com

# 25.6V 135Ah

LFP Li-ion Battery



**Dimension:**



Unit: mm

**SAFETY**

- + Prismatic LiFePO4 cells (135Ah), High consistency, long cycle life and much more safety.
- + UN38.3, CE certification for system.
- + The cycle life over 3000 times @80%DOD

**DESIGN**

- + ABS container, replace VRLA battery perfectly.
- + Fast charge performance.
- + -20~+55° C widely temperature range.
- + Maintenance free.

**BATTERY MANAGEMENT SYSTEM (BMS)**

- + Integrated hardware BMS inside.
- + Independent protection for charge and discharge.
- + Over voltage, low voltage, over temperature and short circuit protection.

# 25.6V135Ah

**Specification**

Model	R-LFP25.6V135Ah
Part Number	8010256013501
Nominal Voltage [V]	25.6
Nominal Capacity [Ah]	135
Total Energy [Wh]	3456
Max. Charging Current [A]	100
Recommended Charging Current [A]	67.5
Charging Voltage [V]	29.2
Max. Discharging Current [A]	100
End of Discharge Voltage [V]	22.4
Pulse Discharge Current	270A @ 10s
Dimension [W*D*H, mm]	522*240*219
Weight [Kg]	31.0
Operation Humidity	0~95% RH (No condensing)
Operating Temperature Range	Charge: 0 ~ +50 °C; Discharge: -20 ~ +55 °C
BMS Protection	Over charge Over discharge, Over temperature, Short circuit
Parallel Support	Yes, Max 2 Sets
Series Support	No Support
Cycle Life	> 3000
Designed Calendar Life	>10 Years
Certification	UN38.3, CE, MSDS

**Note:**

- 1. 80% DOD and to 80% of initial capacity.

The datasheet is subject to change without prior notification

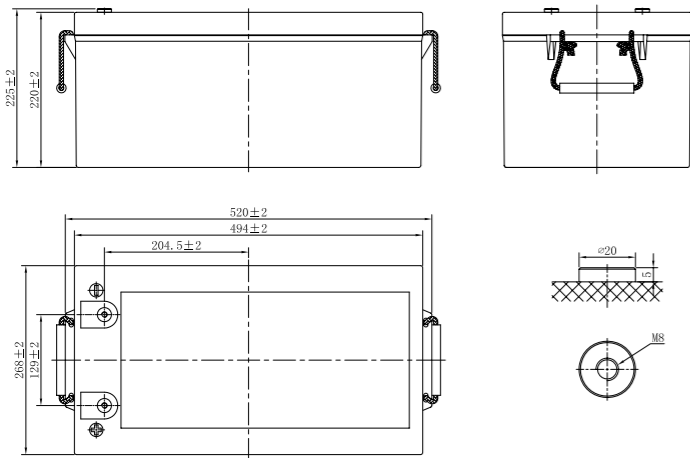
For more information, contact with: sales@ritarpower.com

# 25.6V 150Ah

LFP Li-ion Battery



**Dimension:**



Unit: mm

**SAFETY**

- + Prismatic LiFePO4 cells (50Ah), High consistency, long cycle life and much more safety.
- + UN38.3, CE certification for system.
- + The cycle life over 3000 times @80%DOD

**DESIGN**

- + ABS container, replace VRLA battery perfectly.
- + Fast charge performance.
- + -20~+55° C widely temperature range.
- + Maintenance free.

**BATTERY MANAGEMENT SYSTEM (BMS)**

- + Integrated hardware BMS inside.
- + Independent protection for charge and discharge.
- + Over voltage, low voltage, over temperature and short circuit protection.

# 25.6V 150Ah

**Specification**

Model	R-LFP25.6V150Ah
Part Number	8010256015001
Nominal Voltage [V]	25.6
Nominal Capacity [Ah]	150
Total Energy [Wh]	3840
Max. Charging Current [A]	100
Recommended Charging Current [A]	80
Charging Voltage [V]	29.2
Max. Discharging Current [A]	100
End of Discharge Voltage [V]	22.4
Pulse Discharge Current	270A @ 10s
Dimension [W*D*H, mm]	522*268*220
Weight [Kg]	35.0
Operation Humidity	0~95% RH (No condensing)
Operating Temperature Range	Charge: 0 ~ +50 °C; Discharge: -20 ~ +55 °C
BMS Protection	Over charge Over discharge, Over temperature, Short circuit
Parallel Support	Yes, Max 2 Sets
Series Support	No Support
Cycle Life	> 3000
Designed Calendar Life	>10 Years
Certification	UN38.3, CE, MSDS

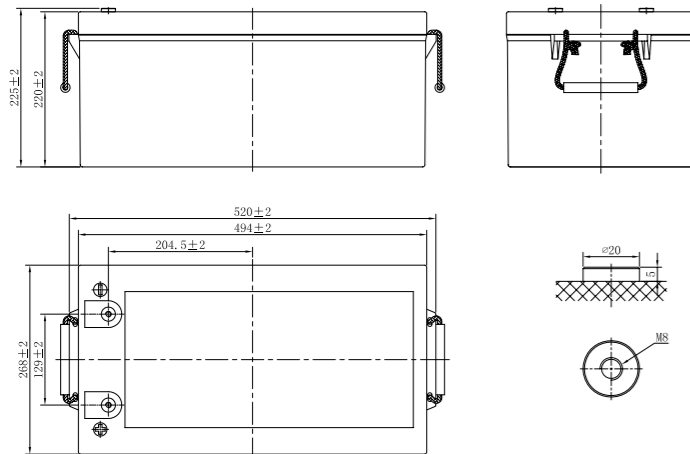
Note:  
1. 80% DOD and to 80% of initial capacity.

# 25.6V 200Ah

LFP Li-ion Battery



**Dimension:**



Unit: mm

**SAFETY**

- + Prismatic LiFePO4 cells (205Ah), High consistency, long cycle life and much more safety.
- + UN38.3, CE certification for system.
- + The cycle life over 3000 times @80%DOD

**DESIGN**

- + ABS container, replace VRLA battery perfectly.
- + Fast charge performance.
- + -20~+55° C widely temperature range.
- + Maintenance free.

**BATTERY MANAGEMENT SYSTEM (BMS)**

- + Integrated hardware BMS inside.
- + Independent protection for charge and discharge.
- + Over voltage, low voltage, over temperature and short circuit protection.

# 25.6V 200Ah

**Specification**

Model	R-LFP25.6V200Ah
Part Number	8010256020001
Nominal Voltage [V]	25.6
Nominal Capacity [Ah]	200
Total Energy [Wh]	5120
Max. Charging Current [A]	100
Recommended Charging Current [A]	80
Charging Voltage [V]	29.2
Max. Discharging Current [A]	100
End of Discharge Voltage [V]	22.4
Pulse Discharge Current	270A @ 10s
Dimension [W*D*H, mm]	522*268*220
Weight [Kg]	40.0
Operation Humidity	0~95% RH (No condensing)
Operating Temperature Range	Charge: 0 ~ +50 °C; Discharge: -20 ~ +55 °C
BMS Protection	Over charge Over discharge, Over temperature, Short circuit
Parallel Support	Yes, Max 2 Sets
Series Support	No Support
Cycle Life	> 3000
Designed Calendar Life	>10 Years
Certification	UN38.3, CE, MSDS

Note:  
1. 80% DOD and to 80% of initial capacity.